

ZETA

4688TOO125P63

EAN 4031582308297

Fixed castor, Fork made of heavy pressed steel, reinforced, bright zinc plated, blue passivated, wheel axle with nut, plate fitting.

Wheel centre made of Polyamide, heavy duty, plain bearing



BETTER MOBILITY. BETTER LIFE.

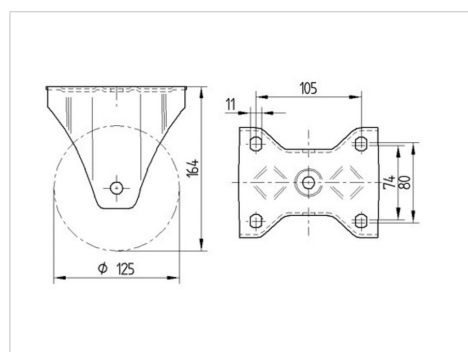


Picture may differ from original product

Technical Data

Wheel diameter	125 mm
Wheel width	50 mm
Castor width	117 mm
Size of Plate	137 x 117 mm
Plate hole centres	105 x 80/75 mm
Plate hole	11 mm
Overall height	164 mm
Temperature	- 30 / + 80 °C
Standard	EN 12532
Weight	1.492 kg
Hardness of tread	Shore D 75
Load capacity	700 kg
Load capacity (static)	1400 kg

Dimensions



Advantages at a glance

Roll performance	● ● ● ○ ○
Movement noise	● ○ ○ ○ ○
Attrition	● ● ● ● ●
Corrosion resistance	● ● ● ○ ○

ZETA

4688TOO125P63

EAN 4031582308297



BETTER MOBILITY. BETTER LIFE.

Structure & Mounting

