

# ZETA

4688UOO200P63 WT46

EAN 4031582308341

Fixed caster, Fork made of heavy pressed steel, reinforced, bright zinc plated, blue passivated, wheel axle with nut, plate fitting.  
Wheel center made of Polyamide, plain bearing



BETTER MOBILITY. BETTER LIFE.

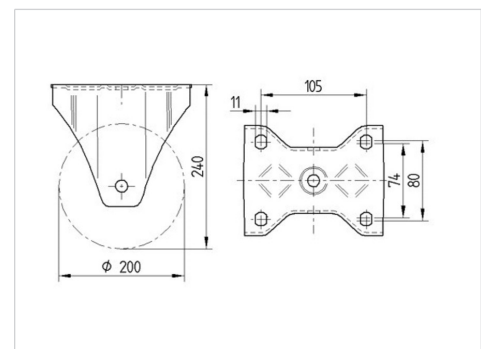


Picture may differ from original product

## Technical Data

Wheel diameter	200 mm
Wheel width	46 mm
Caster width	117 mm
Plate size	137 x 117 mm
Plate hole centers	105 x 80/75 mm
Plate hole	11 mm
Overall height	240 mm
Temperature	- 30 / + 80 °C
Standard	EN 12532
Weight	1.808 kg
Hardness of tread	Shore D 75
Load capacity (dynamic)	600 kg
Load capacity (static)	1200 kg

## Dimensions



## Advantages at a glance

Roll performance	● ● ● ○ ○
Movement noise	● ○ ○ ○ ○
Attrition	● ● ● ● ●
Corrosion resistance	● ● ● ○ ○

# ZETA

4688UOO200P63 WT46

EAN 4031582308341



BETTER MOBILITY. BETTER LIFE.

## Structure & Mounting

