

GALEA

5075PJH100P30-12

EAN 4031582379204

Swivel castor with wheel brake, housing made of Polyamide, double ball bearing swivel head, bolt hole. Wheel centre made of Polypropylene, Tread: TENTEprene (thermoplastic rubber), grey non-marking, with threadguards, plain bearing



BETTER MOBILITY. BETTER LIFE.



Picture may differ from original product

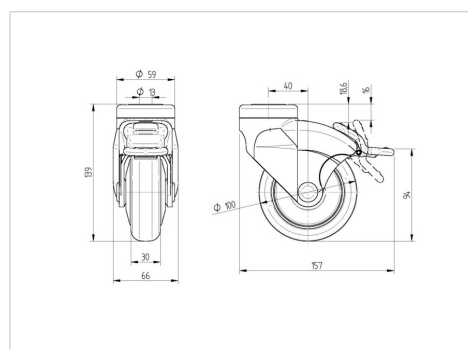
Technical Data

| | |
|------------------------|--------------|
| Wheel diameter | 100 mm |
| Wheel width | 30 mm |
| Castor width | 66 mm |
| Centre hole | 12 mm |
| Dome-Ø | 59 mm |
| Offset | 40 mm |
| Swivel Interference | 256 mm |
| Overall height | 139 mm |
| Temperature | -20 / +60 °C |
| Standard | EN 12530 |
| Weight | 0.456 kg |
| Swivel Radius | 128 mm |
| Hardness of tread | Shore A 87 |
| Load capacity | 100 kg |
| Load capacity (static) | 200 kg |

Advantages at a glance

| | |
|----------------------|-----------|
| Roll performance | ● ● ● ○ ○ |
| Movement noise | ● ● ● ○ ○ |
| Attrition | ● ● ● ● ○ |
| Corrosion resistance | ● ● ● ○ ○ |

Dimensions



Structure & Mounting

