

# GALEA

5075PJH100P30-12

EAN 4031582379204

Swivel caster with wheel brake, housing made of Polyamide, double ball bearing swivel head, bolt hole. Wheel center made of Polypropylene, Tread: TENTEprene (thermoplastic rubber), grey non-marking, with threadguards, plain bearing



BETTER MOBILITY. BETTER LIFE.



Picture may differ from original product

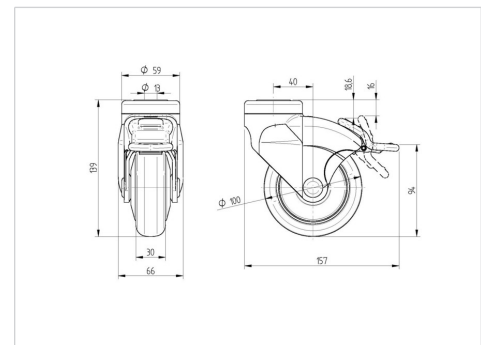
## Technical Data

Wheel diameter	100 mm
Wheel width	30 mm
Caster width	66 mm
Center hole	12 mm
Dome-Ø	59 mm
Offset	40 mm
Swivel Interference	256 mm
Overall height	139 mm
Temperature	-20 / +60 °C
Standard	EN 12530
Weight	0.456 kg
Swivel Radius	128 mm
Hardness of tread	Shore A 87
Load capacity (dynamic)	100 kg
Load capacity (static)	200 kg

## Advantages at a glance

Roll performance	● ● ● ○ ○
Movement noise	● ● ● ○ ○
Attrition	● ● ● ● ○
Corrosion resistance	● ● ● ○ ○

## Dimensions



## Structure & Mounting

