

ICS

5327PJP100P50

EAN

4031582367423



Image may differ from the original product

PERFORMANCE

Roll performance	● ● ● ○ ○
Movement noise	● ● ● ● ●
Attrition	● ● ● ○ ○
Corrosion resistance	● ● ● ● ●

CORE ATTRIBUTES

Product name	ICS
Product type	Swivel castor with total lock
Standard	EN12530 - Devices Castors
Load capacity at 3 km/h	220.46 lb
Load capacity Static	440.92 lb
Temperature range (Minimum)	14 °F
Temperature range (Maximum)	104 °F
Overall height	5.55 in
Overall weight	1.3 lb

WHEEL

Body material	Polypropylene
Tread material	Thermoplastic rubber
Bearing	Precision ball bearing
Threadguards	Integrated threadguard
Diameter	3.94 in
Tread width	1.26 in
Hardness of tread (A)	87 Shore A

HOUSING

Material	Polyamide
Fork shape	Slim
Swivel bearing	Stem, swiveling
Offset	1.46 in
Swivel interference	9.45 in

FITTING

Fitting type	Rectangular plate
Plate length	3.03 in
Plate width	2.64 in
Plate hole length (Minimum)	2.2 in
Plate hole length (Maximum)	2.42 in
Plate hole width (Minimum)	1.83 in
Plate hole width (Maximum)	2.03 in
Plate hole diameter	0.33 in



IF
Design
Award

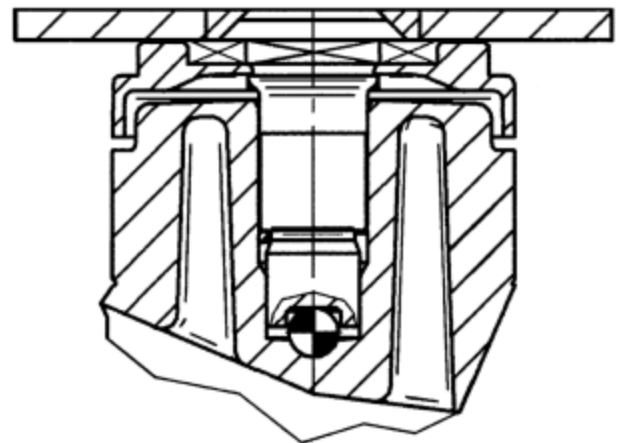
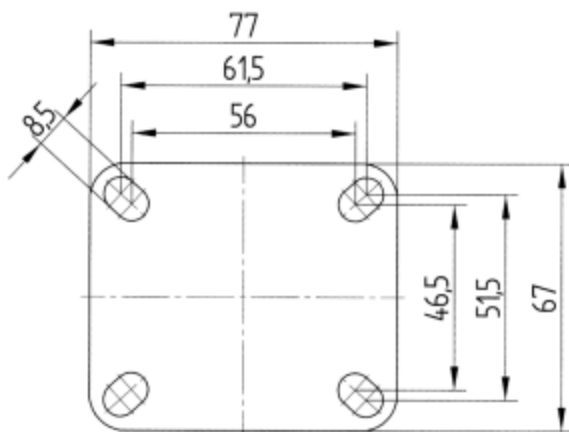
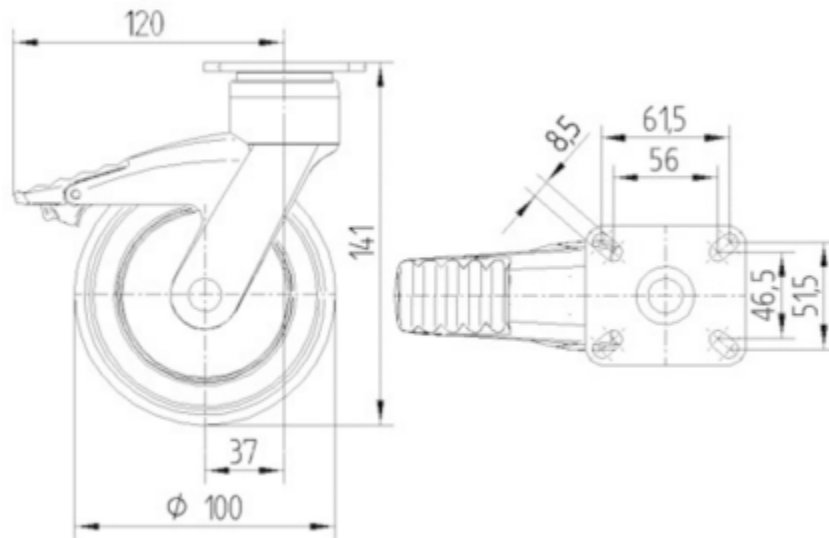
ICS

5327PJP100P50

EAN

4031582367423

TECHNICAL DRAWINGS



IF
Design
Award