

# STYLEA

5920UOI065B10-11x20 DOM27

EAN 4031582335682

Swivel caster, housing made of Polyamide, stem with circlip. Wheel center made of Polyamide, plain bearing



BETTER MOBILITY. BETTER LIFE.

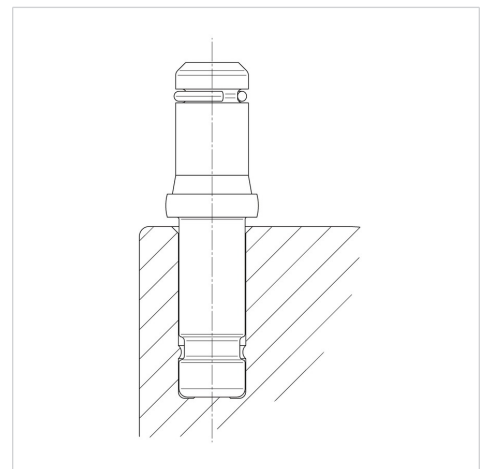


Picture may differ from original product

## Technical Data

|                         |                |
|-------------------------|----------------|
| Wheel diameter          | 65 mm          |
| Wheel width             | 8 mm           |
| Caster width            | 43 mm          |
| Metal stem with circlip | 11 x 20 mm     |
| Dome-Ø                  | 27 mm          |
| Offset                  | 25 mm          |
| Swivel Interference     | 106 mm         |
| Overall height          | 68 mm          |
| Temperature             | - 20 / + 60 °C |
| Standard                | EN 12528       |
| Weight                  | 0.124 kg       |
| Swivel Radius           | 53 mm          |
| Hardness of tread       | Shore D 65     |
| Load capacity (dynamic) | 50 kg          |
| Load capacity (static)  | 100 kg         |

## Structure & Mounting



## Advantages at a glance

|                      |           |
|----------------------|-----------|
| Roll performance     | ● ● ● ○ ○ |
| Movement noise       | ● ● ● ○ ○ |
| Attrition            | ● ● ● ● ● |
| Corrosion resistance | ● ● ● ● ○ |