

STYLEA

5923UOI065B10-11x20 DOM27

EAN 4031582335699

Swivel caster with intermittend brake, housing made of Polyamide, stem with circlip. Wheel center made of Polyamide, plain bearing



BETTER MOBILITY. BETTER LIFE.

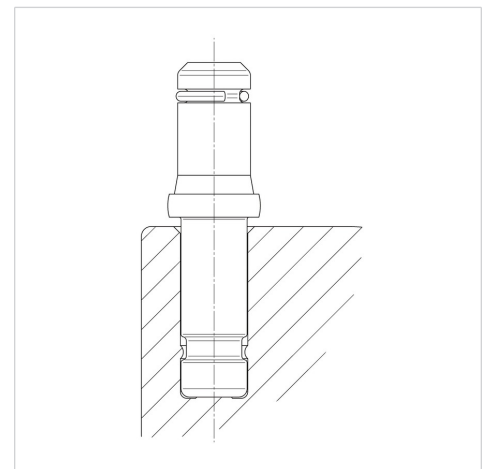


Picture may differ from original product

Technical Data

Wheel diameter	65 mm
Wheel width	8 mm
Caster width	43 mm
Metal stem with circlip	11 x 20 mm
Dome-Ø	27 mm
Offset	25 mm
Swivel Interference	106 mm
Overall height	68 mm
Temperature	- 20 / + 60 °C
Standard	EN 12529
Weight	0.134 kg
Swivel Radius	53 mm
Hardness of tread	Shore D 65
Load capacity (dynamic)	50 kg
Load capacity (static)	100 kg

Structure & Mounting



Advantages at a glance

Roll performance	● ● ● ○ ○
Movement noise	● ● ● ○ ○
Attrition	● ● ● ● ●
Corrosion resistance	● ● ● ● ○