

AGILA

7477PJC075P30-11

EAN 4031582351316

Swivel caster with total lock, trailing end of caster, housing made of Stainless Steel, double ball bearing swivel head, wheel axle with nut, zinc-die-casted chrome-plated brake pedal, bolt hole. Wheel center made of Polypropylene, Tread: TENTEprene (thermoplastic rubber), grey non-marking, with threadguards, precision ball bearing, stainless



BETTER MOBILITY. BETTER LIFE.

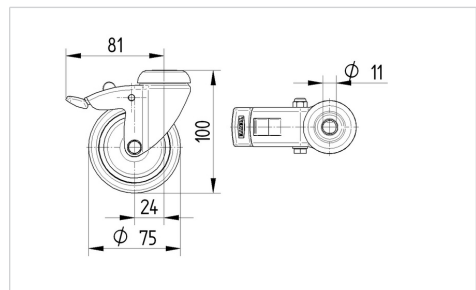


Picture may differ from original product

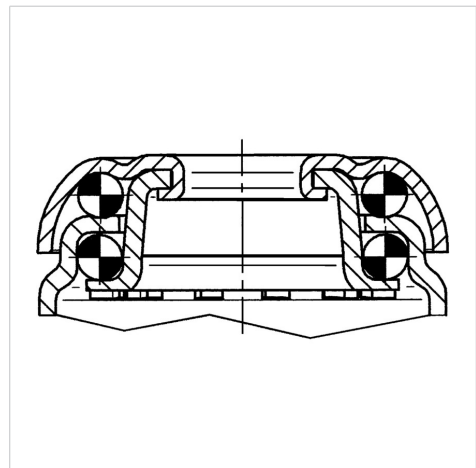
Technical Data

| | |
|-------------------------|----------------|
| Wheel diameter | 75 mm |
| Wheel width | 25 mm |
| Caster width | 43 mm |
| Center hole | 11 mm |
| Dome-Ø | 43 mm |
| Offset | 24 mm |
| Swivel Interference | 162 mm |
| Overall height | 100 mm |
| Temperature | - 20 / + 60 °C |
| Standard | EN 12530 |
| Weight | 0.319 kg |
| Swivel Radius | 81 mm |
| Hardness of tread | Shore A 87 |
| Load capacity (dynamic) | 75 kg |
| Load capacity (static) | 150 kg |

Dimensions



Structure & Mounting



Advantages at a glance

| | |
|----------------------|-----------|
| Roll performance | ● ● ● ○ ○ |
| Movement noise | ● ● ● ○ ○ |
| Attrition | ● ● ● ○ ○ |
| Corrosion resistance | ● ● ● ● ● |