

ALPHA

8470UFC100P62

EAN 4031582422375

Swivel caster, housing made of Stainless Steel, double ball bearing swivel head, wheel axle with nut, plate fitting. Wheel centre made of Polyamide, Tread: elastic-tyre, non-marking, with small threadguards, INOX precision ball bearing



BETTER MOBILITY. BETTER LIFE.

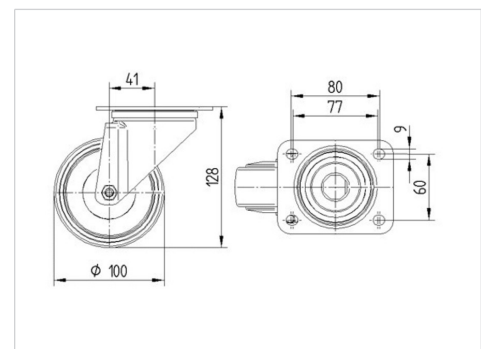


Picture may differ from original product

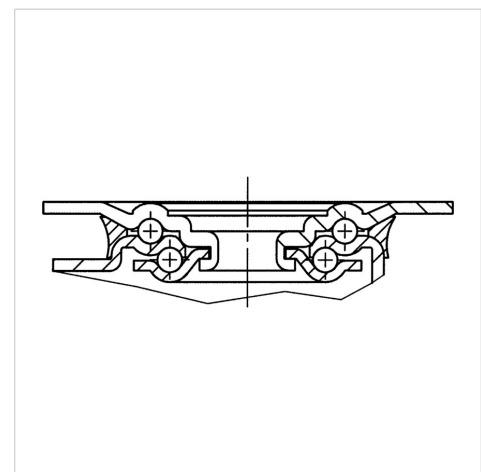
Technical Data

Wheel diameter	100 mm
Wheel width	34 mm
Plate size	105 x 85 mm
Plate hole centers	80/77 x 60 mm
Plate hole	9 mm
Offset	41 mm
Swivel Interference	182 mm
Overall height	128 mm
Temperature	- 20 / + 80 °C
Standard	EN 12532
Weight	0.86 kg
Swivel Radius	91 mm
Hardness of tread	Shore A 64
Load capacity (dynamic)	160 kg
Load capacity (static)	320 kg

Dimensions



Structure & Mounting



Advantages at a glance

Roll performance	● ● ● ○ ○
Movement noise	● ● ● ● ●
Attrition	● ● ● ○ ○
Corrosion resistance	● ● ● ● ●

ALPHA

8470UFC100P62

EAN 4031582422375



BETTER MOBILITY. BETTER LIFE.

Structure & Mounting

