

ALPHA

8470UFC125P62

EAN 4031582422399

Obrtni točkić, Kuciste napravljeno od nerdjajućeg celika, dupli kuglični lezajevi u okretnoj glavi, osovina sa caurom, Priključak ploča.. Wheel centre made of Polyamide, Tread: elastic-tyre, non-marking, with small threadguards, INOX precision ball bearing

TENTE

BETTER MOBILITY. BETTER LIFE.



Picture may differ from original product

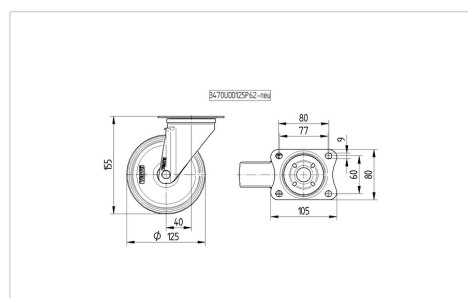
Tehnicki podaci

Precnik tocka.	125 mm
Sirina gazista.	40 mm
Sirina tocka	75 mm
Dimenzije ploce.	105 x 85 mm
Raspored rupa na ploci.	80/77 x 60 mm
Rupa na ploci.	9 mm
Kupola -Ø	75 mm
Dislokacija	40 mm
Otpor okretanju.	205 mm
Sveukupna visina.	155 mm
Temperatura	- 20 / + 80 °C
Standard	EN 12532
Tezina	1.071 kg
Radius okretanja	102.5 mm
Tvrdoca omotaca	Shore A 63
Dinamicka nosivost.	250 kg
Staticka nosivost.	500 kg

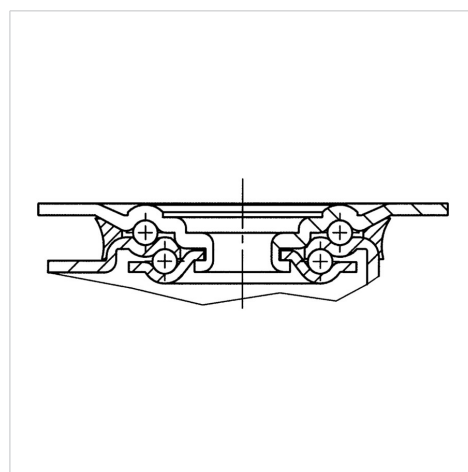
Advantages at a glance

Otpor okretanju	● ● ● ○ ○
Buka pri okretanju	● ● ● ● ●
trenje , habanje	● ● ● ○ ○
zastita od korozije	● ● ● ● ●

Dimensions



Structure & Mounting



ALPHA

8470UFC125P62

EAN 4031582422399



BETTER MOBILITY. BETTER LIFE.

Structure & Mounting

