

ALPHA

8470UFX100P30-13

EAN 4031582312607

Swivel castor, Housing made of Stainless Steel, double ball bearing swivel head, wheel axle with nut, bolt hole. Wheel centre made of Polyamide, Tread: elastic-tyre, non-marking, with small threadguards, precision ball bearing, sealed



BETTER MOBILITY. BETTER LIFE.



Picture may differ from original product

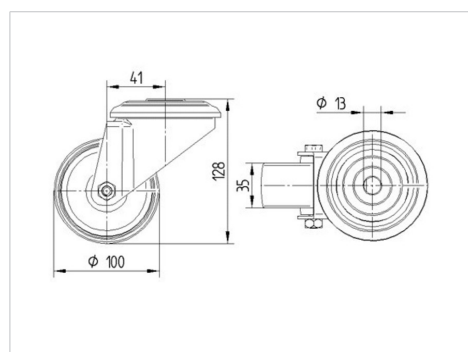
Technical Data

| | |
|------------------------|----------------|
| Wheel diameter | 100 mm |
| Wheel width | 34 mm |
| Castor width | 75 mm |
| Centre hole | 13 mm |
| Dome-Ø | 75 mm |
| Offset | 41 mm |
| Swivel Interference | 182 mm |
| Overall height | 128 mm |
| Temperature | - 20 / + 80 °C |
| Standard | EN 12532 |
| Weight | 0.764 kg |
| Swivel Radius | 91 mm |
| Hardness of tread | Shore A 63 |
| Load capacity | 160 kg |
| Load capacity (static) | 320 kg |

Advantages at a glance

| | |
|----------------------|-----------|
| Roll performance | ● ● ● ○ ○ |
| Movement noise | ● ● ● ● ● |
| Attrition | ● ● ● ○ ○ |
| Corrosion resistance | ● ● ● ● ● |

Dimensions



Structure & Mounting

