

ALPHA

8470UFX100P30-13

EAN 4031582312607

Swivel caster, housing made of Stainless Steel, double ball bearing swivel head, wheel axle with nut, bolt hole. Wheel center made of Polyamide, Tread: elastic-tire, non-marking, with small threadguards, precision ball bearing, sealed



BETTER MOBILITY. BETTER LIFE.

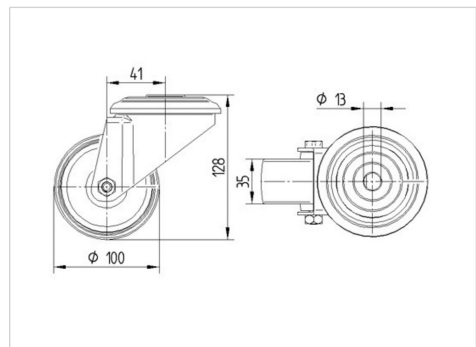


Picture may differ from original product

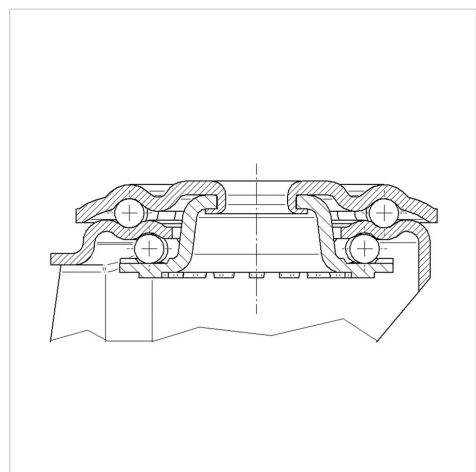
Technical Data

Wheel diameter	100 mm
Wheel width	34 mm
Caster width	75 mm
Center hole	13 mm
Dome-Ø	75 mm
Offset	41 mm
Swivel Interference	182 mm
Overall height	128 mm
Temperature	- 20 / + 80 °C
Standard	EN 12532
Weight	0.764 kg
Swivel Radius	91 mm
Hardness of tread	Shore A 63
Load capacity (dynamic)	160 kg
Load capacity (static)	320 kg

Dimensions



Structure & Mounting



Advantages at a glance

Roll performance	● ● ● ○ ○
Movement noise	● ● ● ● ●
Attrition	● ● ● ○ ○
Corrosion resistance	● ● ● ● ●