

# ALPHA

8470UFX160P63

EAN 4031582312645

Swivel caster, housing made of Stainless Steel, double ball bearing swivel head, wheel axle with nut, plate fitting. Wheel center made of Polyamide, Tread: elastic-tire, non-marking, with small threadguards, precision ball bearing, sealed



BETTER MOBILITY. BETTER LIFE.

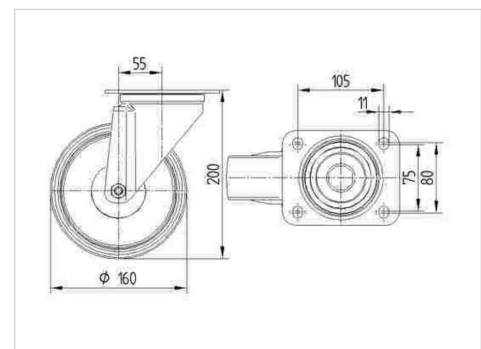


Picture may differ from original product

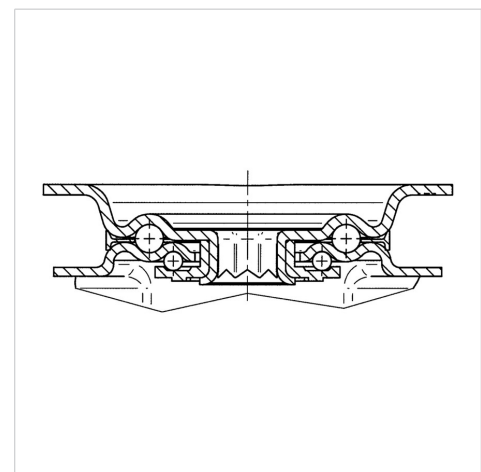
## Technical Data

|                         |                |
|-------------------------|----------------|
| Wheel diameter          | 160 mm         |
| Wheel width             | 46 mm          |
| Caster width            | 96 mm          |
| Plate size              | 137 x 105 mm   |
| Plate hole centers      | 105 x 80/75 mm |
| Plate hole              | 11 mm          |
| Dome-Ø                  | 96 mm          |
| Offset                  | 55 mm          |
| Swivel Interference     | 270 mm         |
| Overall height          | 200 mm         |
| Temperature             | - 20 / + 80 °C |
| Standard                | EN 12532       |
| Weight                  | 2.227 kg       |
| Swivel Radius           | 135 mm         |
| Hardness of tread       | Shore A 63     |
| Load capacity (dynamic) | 300 kg         |
| Load capacity (static)  | 600 kg         |

## Dimensions



## Structure & Mounting



## Advantages at a glance

|                      |           |
|----------------------|-----------|
| Roll performance     | ● ● ● ○ ○ |
| Movement noise       | ● ● ● ● ● |
| Attrition            | ● ● ● ○ ○ |
| Corrosion resistance | ● ● ● ● ● |

# ALPHA

8470UFX160P63

EAN 4031582312645



BETTER MOBILITY. BETTER LIFE.

## Structure & Mounting

