

ALPHA

8470U00080P30-13

EAN 4031582312669

Swivel castor, Housing made of Stainless Steel, double ball bearing swivel head, wheel axle with nut, bolt hole. Wheel centre made of Polyamide, plain bearing



BETTER MOBILITY. BETTER LIFE.



Picture may differ from original product

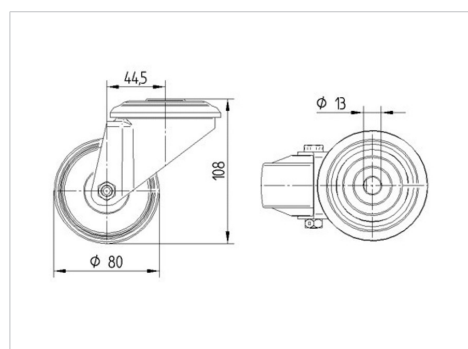
Technical Data

Wheel diameter	80 mm
Wheel width	34 mm
Castor width	75 mm
Centre hole	13 mm
Dome-Ø	75 mm
Offset	44.5 mm
Swivel Interference	169 mm
Overall height	108 mm
Temperature	- 40 / + 80 °C
Standard	EN 12532
Weight	0.549 kg
Swivel Radius	84.5 mm
Hardness of tread	Shore D 75
Load capacity	150 kg
Load capacity (static)	300 kg

Advantages at a glance

Roll performance	● ● ● ○ ○
Movement noise	● ● ● ○ ○
Attrition	● ● ● ● ●
Corrosion resistance	● ● ● ● ●

Dimensions



Structure & Mounting

