

ALPHA

8470UOO100P30-13

EAN 4031582312683

Swivel castor, Housing made of Stainless Steel, double ball bearing swivel head, wheel axle with nut, bolt hole. Wheel centre made of Polyamide, plain bearing



BETTER MOBILITY. BETTER LIFE.



Picture may differ from original product

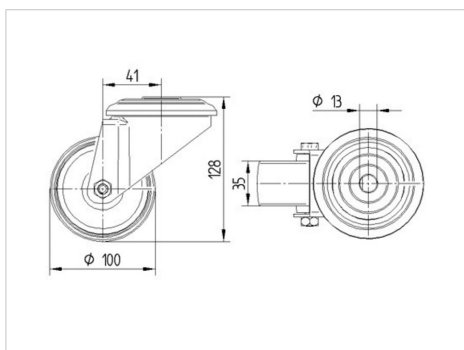
Technical Data

Wheel diameter	100 mm
Wheel width	36 mm
Castor width	75 mm
Centre hole	13 mm
Dome-Ø	75 mm
Offset	41 mm
Swivel Interference	182 mm
Overall height	128 mm
Temperature	- 25 / + 80 °C
Standard	EN 12532
Weight	0.617 kg
Swivel Radius	91 mm
Hardness of tread	Shore D 75
Load capacity	200 kg
Load capacity (static)	400 kg

Advantages at a glance

Roll performance	● ● ● ○ ○
Movement noise	● ● ● ○ ○
Attrition	● ● ● ● ●
Corrosion resistance	● ● ● ● ●

Dimensions



Structure & Mounting

