

ALPHA

8470U00160P63

EAN 4031582312720

Swivel caster, housing made of Stainless Steel, double ball bearing swivel head, wheel axle with nut, plate fitting. Wheel center made of Polyamide, plain bearing



BETTER MOBILITY. BETTER LIFE.

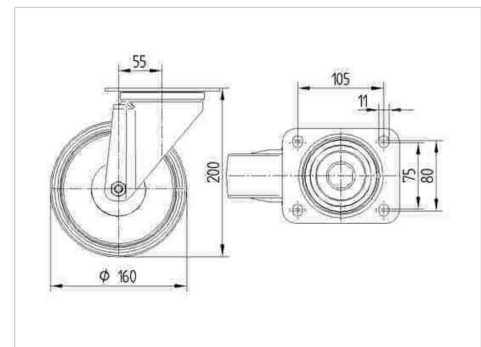


Picture may differ from original product

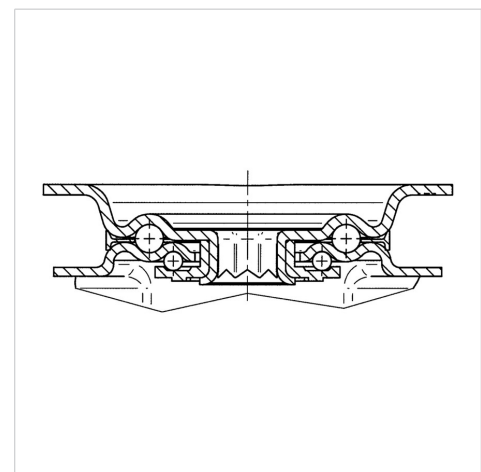
Technical Data

Wheel diameter	160 mm
Wheel width	40 mm
Caster width	96 mm
Plate size	137 x 105 mm
Plate hole centers	105 x 80/75 mm
Plate hole	11 mm
Dome-Ø	96 mm
Offset	55 mm
Swivel Interference	270 mm
Overall height	200 mm
Temperature	- 40 / + 80 °C
Standard	EN 12532
Weight	1.809 kg
Swivel Radius	135 mm
Hardness of tread	Shore D 75
Load capacity (dynamic)	500 kg
Load capacity (static)	1000 kg

Dimensions



Structure & Mounting



Advantages at a glance

Roll performance	● ● ● ○ ○
Movement noise	● ● ● ○ ○
Attrition	● ● ● ● ●
Corrosion resistance	● ● ● ● ●

ALPHA

8470U00160P63

EAN 4031582312720



BETTER MOBILITY. BETTER LIFE.

Structure & Mounting

