

ALPHA

8477UFX200P63

EAN 4031582313055

Swivel castor with total lock, tail end of castor, Housing made of Stainless Steel, double ball bearing swivel head, wheel axle with nut, plate fitting. Wheel centre made of Polyamide, Tread: elastic-tyre, non-marking, with small threadguards, precision ball bearing, sealed



BETTER MOBILITY. BETTER LIFE.



Picture may differ from original product

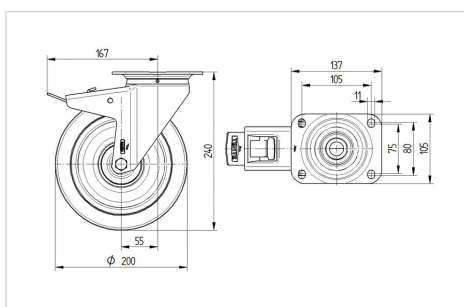
Technical Data

Wheel diameter	200 mm
Wheel width	46 mm
Castor width	96 mm
Size of Plate	137 x 105 mm
Plate hole centres	105 x 80/75 mm
Plate hole	11 mm
Dome-Ø	96 mm
Offset	55 mm
Swivel Interference	334 mm
Overall height	240 mm
Temperature	- 20 / + 80 °C
Standard	EN 12532
Weight	2.997 kg
Swivel Radius	167 mm
Hardness of tread	Shore A 63
Load capacity	300 kg
Load capacity (static)	600 kg

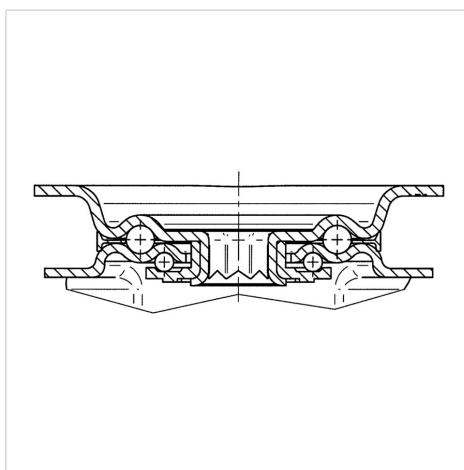
Advantages at a glance

Roll performance	● ● ● ○ ○
Movement noise	● ● ● ● ●
Attrition	● ● ● ○ ○
Corrosion resistance	● ● ● ● ●

Dimensions



Structure & Mounting



ALPHA

8477UFX200P63

EAN 4031582313055



BETTER MOBILITY. BETTER LIFE.

Structure & Mounting

