

# ALPHA

8477U00080P62

EAN 4031582313079

Swivel castor with total lock, tail end of castor, Housing made of Stainless Steel, double ball bearing swivel head, wheel axle with nut, plate fitting. Wheel centre made of Polyamide, plain bearing



BETTER MOBILITY. BETTER LIFE.

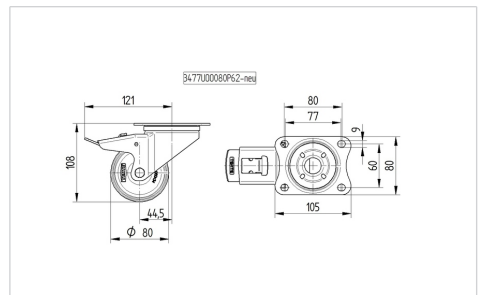


Picture may differ from original product

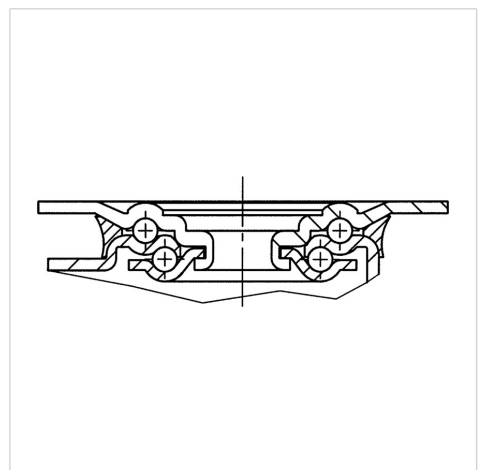
## Technical Data

Wheel diameter	80 mm
Wheel width	34 mm
Castor width	75 mm
Size of Plate	105 x 85 mm
Plate hole centres	80/77 x 60 mm
Plate hole	9 mm
Dome-Ø	75 mm
Offset	44.5 mm
Swivel Interference	246 mm
Overall height	108 mm
Temperature	- 40 / + 80 °C
Standard	EN 12532
Weight	0.775 kg
Swivel Radius	123 mm
Hardness of tread	Shore D 75
Load capacity	200 kg
Load capacity (static)	400 kg

## Dimensions



## Structure & Mounting



## Advantages at a glance

Roll performance	● ● ● ○ ○
Movement noise	● ● ● ○ ○
Attrition	● ● ● ● ●
Corrosion resistance	● ● ● ● ●

# ALPHA

8477U00080P62

EAN 4031582313079



BETTER MOBILITY. BETTER LIFE.

## Structure & Mounting

