

# ALPHA

8477U00125P30-13

EAN 4031582313109

Swivel caster with total lock, trailing end of caster, housing made of Stainless Steel, double ball bearing swivel head, wheel axle with nut, bolt hole. Wheel center made of Polyamide, plain bearing



BETTER MOBILITY. BETTER LIFE.

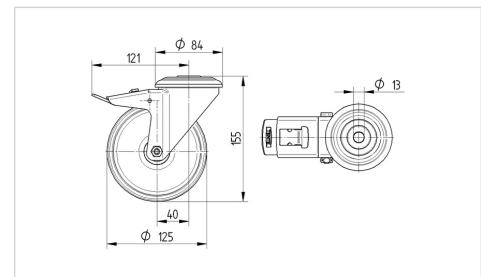


Picture may differ from original product

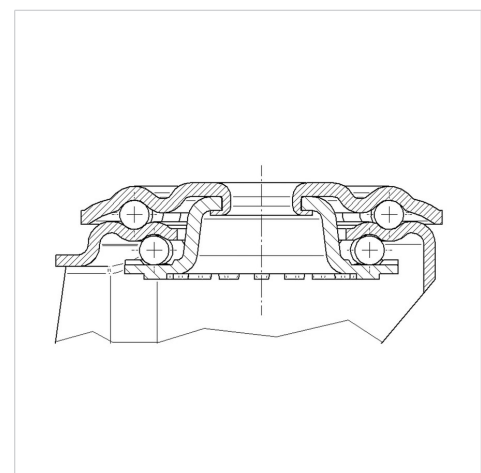
## Technical Data

|                         |                |
|-------------------------|----------------|
| Wheel diameter          | 125 mm         |
| Wheel width             | 40 mm          |
| Caster width            | 75 mm          |
| Center hole             | 13 mm          |
| Dome-Ø                  | 75 mm          |
| Offset                  | 40 mm          |
| Swivel Interference     | 246 mm         |
| Overall height          | 155 mm         |
| Temperature             | - 40 / + 80 °C |
| Standard                | EN 12532       |
| Weight                  | 0.907 kg       |
| Swivel Radius           | 123 mm         |
| Hardness of tread       | Shore D 75     |
| Load capacity (dynamic) | 200 kg         |
| Load capacity (static)  | 400 kg         |

## Dimensions



## Structure & Mounting



## Advantages at a glance

|                      |           |
|----------------------|-----------|
| Roll performance     | ● ● ● ○ ○ |
| Movement noise       | ● ● ● ○ ○ |
| Attrition            | ● ● ● ● ● |
| Corrosion resistance | ● ● ● ● ● |