

# ALPHA

8478UFC100P62

EAN 4031582422481

Fixed caster, Fork made of Stainless Steel, wheel axle with nut, plate fitting.

Wheel centre made of Polyamide, Tread: elastic-tyre, non-marking, with small threadguards, INOX precision ball bearing



BETTER MOBILITY. BETTER LIFE.

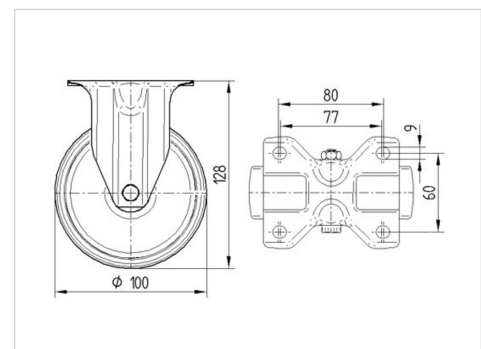


Picture may differ from original product

## Technical Data

Wheel diameter	125 mm
Wheel width	40 mm
Caster width	85 mm
Plate size	100 x 85 mm
Plate hole centers	80/77 x 60 mm
Plate hole	9 mm
Overall height	155 mm
Temperature	- 20 / + 80 °C
Standard	EN 12532
Weight	0.825 kg
Hardness of tread	Shore A 63
Load capacity (dynamic)	250 kg
Load capacity (static)	500 kg

## Dimensions



## Advantages at a glance

Roll performance	● ● ● ○ ○
Movement noise	● ● ● ● ●
Attrition	● ● ● ○ ○
Corrosion resistance	● ● ● ● ●

# ALPHA

8478UFC100P62

EAN 4031582422481



BETTER MOBILITY. BETTER LIFE.

## Structure & Mounting

