

ALPHA

8478UFC100P62

EAN 4031582422481

Fiksirani točkić, Viljuska napravljena od nerdjajućeg celika, osovina tocka sa maticom, Priključak ploca..

Wheel centre made of Polyamide, Tread: elastic-tyre, non-marking, with small threadguards, INOX precision ball bearing

TENTE

BETTER MOBILITY. BETTER LIFE.

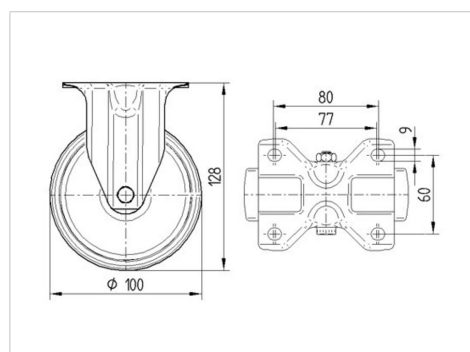


Picture may differ from original product

Tehnicki podaci

Precnik tocka.	125 mm
Sirina gazista.	40 mm
Sirina tocka	85 mm
Dimenzije ploce.	100 x 85 mm
Raspored rupa na ploci.	80/77 x 60 mm
Rupa na ploci.	9 mm
Sveukupna visina.	155 mm
Temperatura	- 20 / + 80 °C
Standard	EN 12532
Tezina	0.825 kg
Tvrdoca omotaca	Shore A 63
Dinamicka nosivost.	250 kg
Staticka nosivost.	500 kg

Dimensions



Advantages at a glance

Otpor okretanju	● ● ● ○ ○
Buka pri okretanju	● ● ● ● ●
trenje , habanje	● ● ● ○ ○
zastita od korozije	● ● ● ● ●

ALPHA

8478UFC100P62

EAN 4031582422481



BETTER MOBILITY. BETTER LIFE.

Structure & Mounting

