

ALPHA

8478UOO100P62

EAN 4031582313390

Fixed castor, Fork made of Stainless Steel, wheel axle with nut, plate fitting.

Wheel centre made of Polyamide, plain bearing



BETTER MOBILITY. BETTER LIFE.

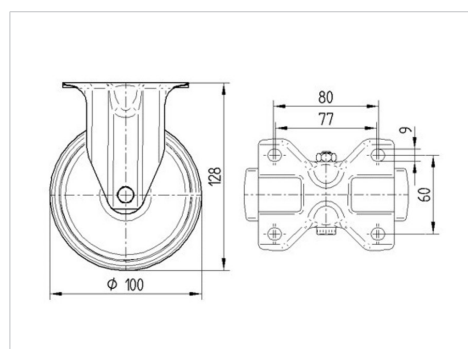


Picture may differ from original product

Technical Data

Wheel diameter	100 mm
Wheel width	36 mm
Castor width	85 mm
Size of Plate	100 x 85 mm
Plate hole centres	80/77 x 60 mm
Plate hole	9 mm
Overall height	128 mm
Temperature	- 40 / + 80 °C
Standard	EN 12532
Weight	0.445 kg
Hardness of tread	Shore D 75
Load capacity	200 kg
Load capacity (static)	400 kg

Dimensions



Advantages at a glance

Roll performance	● ● ● ○ ○
Movement noise	● ● ● ○ ○
Attrition	● ● ● ● ●
Corrosion resistance	● ● ● ● ●

ALPHA

8478UOO100P62

EAN 4031582313390



BETTER MOBILITY. BETTER LIFE.

Structure & Mounting

