

# ALPHA

8478U00100P62

EAN 4031582313390

Fixed caster, Fork made of Stainless Steel, wheel axle with nut, plate fitting.

Wheel center made of Polyamide, plain bearing



BETTER MOBILITY. BETTER LIFE.

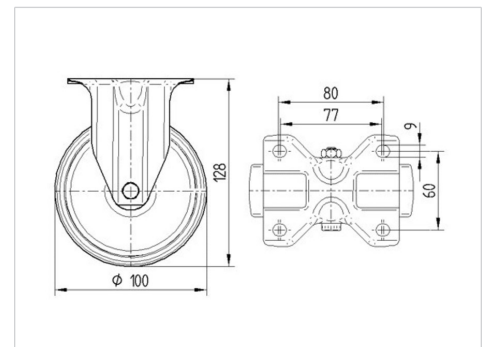


Picture may differ from original product

## Technical Data

Wheel diameter	100 mm
Wheel width	36 mm
Caster width	85 mm
Plate size	100 x 85 mm
Plate hole centers	80/77 x 60 mm
Plate hole	9 mm
Overall height	128 mm
Temperature	- 40 / + 80 °C
Standard	EN 12532
Weight	0.445 kg
Hardness of tread	Shore D 75
Load capacity (dynamic)	200 kg
Load capacity (static)	400 kg

## Dimensions



## Advantages at a glance

Roll performance	● ● ● ○ ○
Movement noise	● ● ● ○ ○
Attrition	● ● ● ● ●
Corrosion resistance	● ● ● ● ●

# ALPHA

8478U00100P62

EAN 4031582313390



BETTER MOBILITY. BETTER LIFE.

## Structure & Mounting

