

ALPHA

8478U00160P63

EAN 4031582313413

Fixed castor, Fork made of Stainless Steel, wheel axle with nut, plate fitting.

Wheel centre made of Polyamide, plain bearing



BETTER MOBILITY. BETTER LIFE.

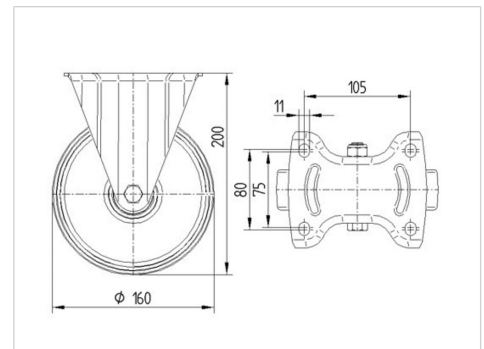


Picture may differ from original product

Technical Data

| | |
|------------------------|----------------|
| Wheel diameter | 160 mm |
| Wheel width | 40 mm |
| Castor width | 115 mm |
| Size of Plate | 137 x 115 mm |
| Plate hole centres | 105 x 80/75 mm |
| Plate hole | 11 mm |
| Overall height | 200 mm |
| Temperature | - 40 / + 80 °C |
| Standard | EN 12532 |
| Weight | 1.426 kg |
| Hardness of tread | Shore D 75 |
| Load capacity | 500 kg |
| Load capacity (static) | 1000 kg |

Dimensions



Advantages at a glance

| | |
|----------------------|-----------|
| Roll performance | ● ● ● ○ ○ |
| Movement noise | ● ● ● ○ ○ |
| Attrition | ● ● ● ● ● |
| Corrosion resistance | ● ● ● ● ● |

ALPHA

8478U00160P63

EAN 4031582313413



BETTER MOBILITY. BETTER LIFE.

Structure & Mounting

