

# ALPHA

8478UOO200P63

EAN 4031582313420

Fixed castor, Fork made of Stainless Steel, wheel axle with nut, plate fitting.

Wheel centre made of Polyamide, plain bearing



BETTER MOBILITY. BETTER LIFE.



Picture may differ from original product

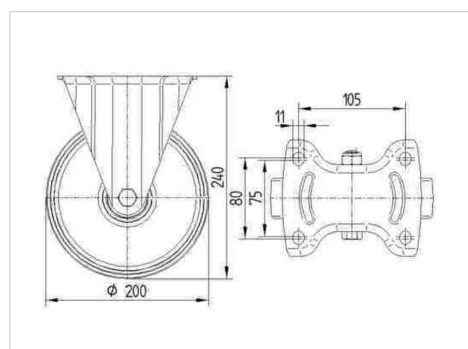
## Technical Data

Wheel diameter	200 mm
Wheel width	50 mm
Castor width	115 mm
Size of Plate	140 x 115 mm
Plate hole centres	105 x 80/75 mm
Plate hole	11 mm
Overall height	240 mm
Temperature	- 40 / + 80 °C
Standard	EN 12532
Weight	1.63 kg
Hardness of tread	Shore D 75
Load capacity	500 kg
Load capacity (static)	1000 kg

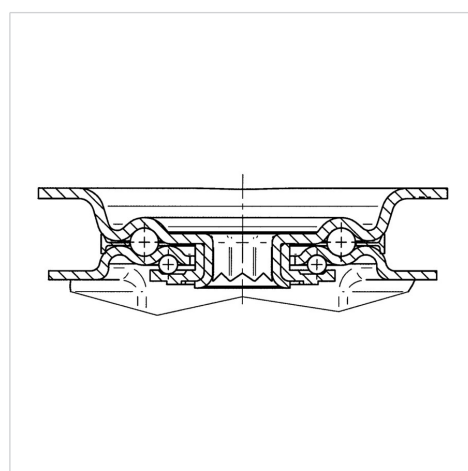
## Advantages at a glance

Roll performance	● ● ● ○ ○
Movement noise	● ● ● ○ ○
Attrition	● ● ● ● ●
Corrosion resistance	● ● ● ● ●

## Dimensions



## Structure & Mounting



# ALPHA

8478U00200P63

EAN 4031582313420



BETTER MOBILITY. BETTER LIFE.

## Structure & Mounting

