

# ZETA

8677TOO125P63

EAN 4031582313710

Swivel caster with total lock, trailing end of caster, housing made of Stainless Steel, double ball bearing swivel head, protected, reinforced and heat-treated ball covers, riveted king pin, wheel axle with nut, plate fitting. Wheel center made of Polyamide, heavy duty, plain bearing



BETTER MOBILITY. BETTER LIFE.



Picture may differ from original product

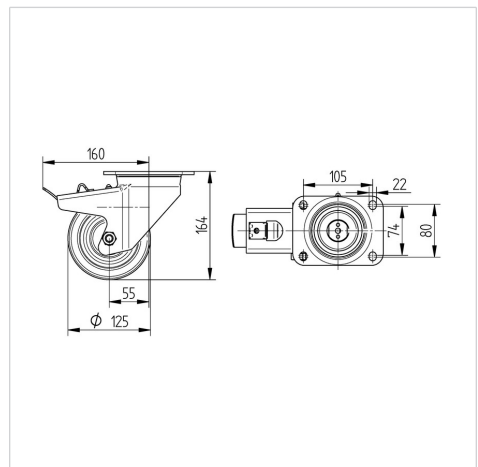
## Technical Data

Wheel diameter	125 mm
Wheel width	50 mm
Caster width	96 mm
Plate size	137 x 105,0 mm
Plate hole centers	105 x 80/74 mm
Plate hole	11 mm
Dome-Ø	96 mm
Offset	60 mm
Swivel Interference	322 mm
Overall height	164 mm
Temperature	- 30 / + 80 °C
Standard	EN 12533
Weight	2.843 kg
Swivel Radius	161 mm
Hardness of tread	Shore D 75
Load capacity (dynamic)	700 kg
Load capacity (static)	1400 kg

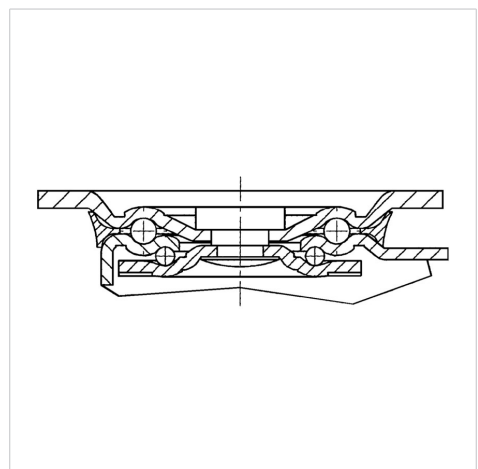
## Advantages at a glance

Roll performance	● ● ● ● ●
Movement noise	● ○ ○ ○ ○
Attrition	● ● ● ● ●
Corrosion resistance	● ● ● ● ●

## Dimensions



## Structure & Mounting



# ZETA

8677TOO125P63

EAN 4031582313710



BETTER MOBILITY. BETTER LIFE.

## Structure & Mounting

