

OMIKRON

9250STP250P65

EAN 4031582314038

Swivel caster, housing and plate steel-welded, zinc plated, blue passivated, sealed swivel bearing with dual purpose bearing and tapered roller bearing, threaded king pin and locking nut secured, grease nipple, wheel axle with nut, plate fitting. Wheel center made of pressed steel, lacquered, heavy duty, Tread: Polyurethane, casted, precision ball bearing



BETTER MOBILITY. BETTER LIFE.

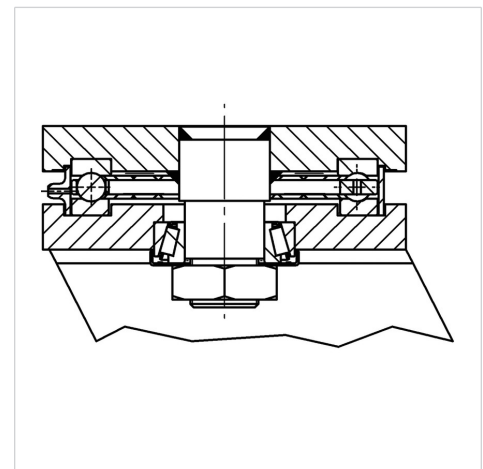


Picture may differ from original product

Technical Data

Wheel diameter	250 mm
Wheel width	100 mm
Plate size	200 x 160 mm
Plate hole centers	160 x 120 mm
Plate hole	15 mm
Offset	75 mm
Swivel Interference	400 mm
Overall height	325 mm
Temperature	- 20 / + 60 °C
Standard	EN 12533
Weight	33.626 kg
Swivel Radius	200 mm
Hardness of tread	Shore A 92
Load capacity (dynamic)	2200 kg
Load capacity (static)	4400 kg

Structure & Mounting



Advantages at a glance

Roll performance	● ● ● ○ ○
Movement noise	● ● ● ○ ○
Attrition	● ● ● ● ○
Corrosion resistance	● ● ● ○ ○

OMIKRON

9250STP250P65

EAN 4031582314038



BETTER MOBILITY. BETTER LIFE.

Structure & Mounting

