

# OMIKRON

9258STP300P65

EAN 4031582314120

Fixed castor, Fork and plate steel welded, zinc plated, blue passivated, wheel axle with nut, plate fitting.

Wheel centre made of pressed steel, lacquered, heavy duty, Tread: Polyurethane, casted, precision ball bearing



BETTER MOBILITY. BETTER LIFE.

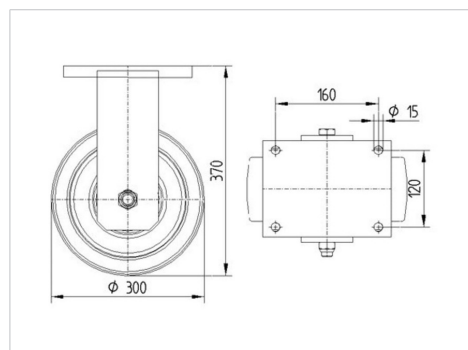


Picture may differ from original product

## Technical Data

|                        |                |
|------------------------|----------------|
| Wheel diameter         | 300 mm         |
| Wheel width            | 100 mm         |
| Size of Plate          | 200 x 160 mm   |
| Plate hole centres     | 160 x 120 mm   |
| Plate hole             | 15 mm          |
| Overall height         | 370 mm         |
| Temperature            | - 20 / + 60 °C |
| Standard               | EN 12533       |
| Weight                 | 31.149 kg      |
| Hardness of tread      | Shore A 92     |
| Load capacity          | 2600 kg        |
| Load capacity (static) | 5200 kg        |

## Dimensions



## Advantages at a glance

|                      |           |
|----------------------|-----------|
| Roll performance     | ● ● ● ○ ○ |
| Movement noise       | ● ● ● ○ ○ |
| Attrition            | ● ● ● ● ○ |
| Corrosion resistance | ● ● ● ○ ○ |

# OMIKRON

9258STP300P65

EAN 4031582314120



BETTER MOBILITY. BETTER LIFE.

## Structure & Mounting

