

KAPPA

9650TOP160P63

EAN 4031582314397

Swivel caster, housing and plate steel-welded, bright zinc plated, blue passivated, sealed swivel bearing with dual purpose bearing and tapered roller bearing, threaded king pin and locking nut secured, grease nipple, wheel axle with nut, plate fitting. Wheel center made of Polyamide, heavy duty, precision ball bearing



BETTER MOBILITY. BETTER LIFE.

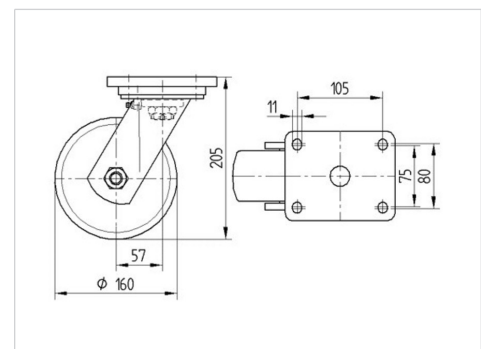


Picture may differ from original product

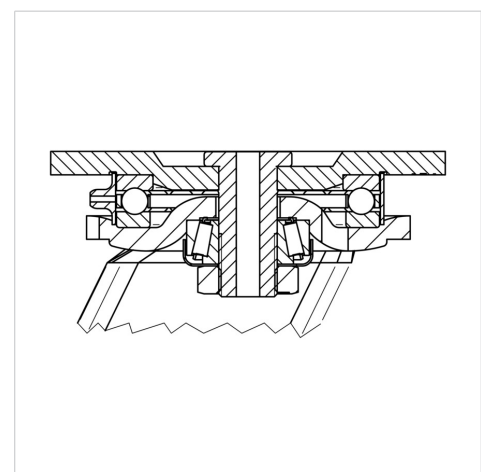
Technical Data

| | |
|-------------------------|----------------|
| Wheel diameter | 160 mm |
| Wheel width | 50 mm |
| Caster width | 110 mm |
| Plate size | 135 x 110 mm |
| Plate hole centers | 105 x 80/75 mm |
| Plate hole | 11 mm |
| Dome-Ø | 111 mm |
| Offset | 58 mm |
| Swivel Interference | 280 mm |
| Overall height | 205 mm |
| Temperature | - 30 / + 80 °C |
| Standard | EN 12533 |
| Weight | 4.243 kg |
| Swivel Radius | 140 mm |
| Hardness of tread | Shore D 75 |
| Load capacity (dynamic) | 850 kg |
| Load capacity (static) | 1700 kg |

Dimensions



Structure & Mounting



Advantages at a glance

| | |
|----------------------|-----------|
| Roll performance | ● ● ● ● ● |
| Movement noise | ● ○ ○ ○ ○ |
| Attrition | ● ● ● ● ● |
| Corrosion resistance | ● ● ● ○ ○ |

KAPPA

9650TOP160P63

EAN 4031582314397



BETTER MOBILITY. BETTER LIFE.

Structure & Mounting

