

KAPPA

9651FTP250P64

EAN 4031582314526

Swivel caster with directional lock, housing and plate steel-welded, bright zinc plated, blue passivated, sealed swivel bearing with dual purpose bearing and tapered roller bearing, threaded king pin and locking nut secured, grease nipple, wheel axle with nut, plate fitting. Wheel center made of cast iron, Tread: Polyurethane, casted, precision ball bearing



BETTER MOBILITY. BETTER LIFE.



Picture may differ from original product

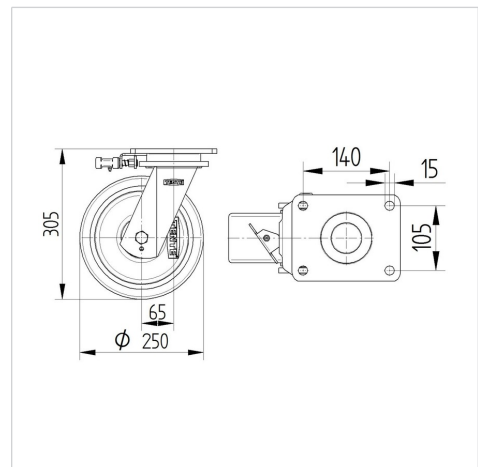
Technical Data

Wheel diameter	250 mm
Wheel width	80 mm
Caster width	140 mm
Plate size	175 x 140 mm
Plate hole centers	140 x 105 mm
Plate hole	15 mm
Dome-Ø	140 mm
Offset	65 mm
Swivel Interference	390 mm
Overall height	305 mm
Temperature	- 10 / + 60 °C
Standard	EN 12533
Weight	15.874 kg
Swivel Radius	195 mm
Hardness of tread	Shore D 42
Load capacity (dynamic)	1800 kg
Load capacity (static)	3600 kg

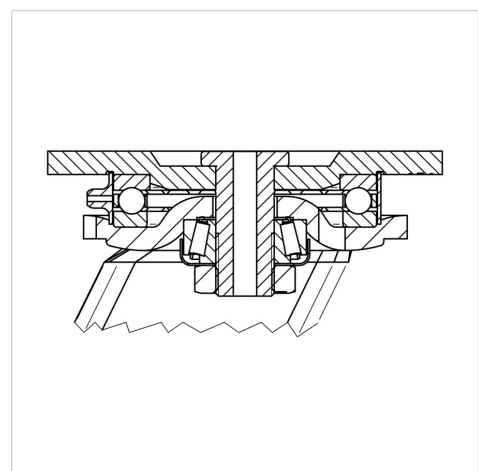
Advantages at a glance

Roll performance	● ● ● ● ○
Movement noise	● ● ● ○ ○
Attrition	● ● ● ● ○
Corrosion resistance	● ● ● ○ ○

Dimensions



Structure & Mounting



KAPPA

9651FTP250P64

EAN 4031582314526



BETTER MOBILITY. BETTER LIFE.

Structure & Mounting

