

# KAPPA

9651TOO150P63

EAN 4031582314618

Swivel castor with directional lock, housing and plate steel-welded, bright zinc plated, blue passivated, sealed swivel bearing with dual purpose bearing and tapered roller bearing, threaded king pin and locking nut secured, grease nipple, wheel axle with nut, plate fitting. Wheel centre made of Polyamide, heavy duty, plain bearing



BETTER MOBILITY. BETTER LIFE.



Picture may differ from original product

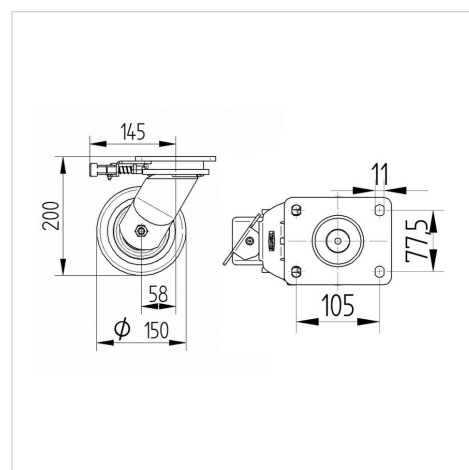
## Technical Data

|                        |                |
|------------------------|----------------|
| Wheel diameter         | 150 mm         |
| Wheel width            | 50 mm          |
| Size of Plate          | 135 x 110 mm   |
| Plate hole centres     | 105 x 80/75 mm |
| Plate hole             | 11 mm          |
| Offset                 | 58 mm          |
| Swivel Interference    | 398 mm         |
| Overall height         | 200 mm         |
| Temperature            | - 40 / + 80 °C |
| Standard               | EN 12533       |
| Weight                 | 4.156 kg       |
| Hardness of tread      | Shore D 75     |
| Load capacity          | 800 kg         |
| Load capacity (static) | 1600 kg        |

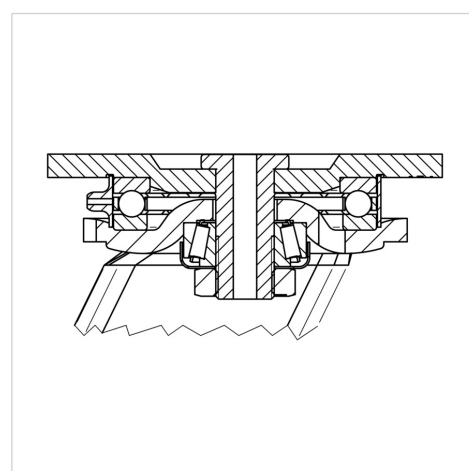
## Advantages at a glance

|                      |           |
|----------------------|-----------|
| Roll performance     | ● ● ● ● ● |
| Movement noise       | ● ○ ○ ○ ○ |
| Attrition            | ● ● ● ● ● |
| Corrosion resistance | ● ● ● ○ ○ |

## Dimensions



## Structure & Mounting



# KAPPA

9651TOO150P63

EAN 4031582314618



BETTER MOBILITY. BETTER LIFE.

## Structure & Mounting

