

KAPPA

9651TOP150P63

EAN 4031582314656

Swivel castor with directional lock, housing and plate steel-welded, bright zinc plated, blue passivated, sealed swivel bearing with dual purpose bearing and tapered roller bearing, threaded king pin and locking nut secured, grease nipple, wheel axle with nut, plate fitting. Wheel centre made of Polyamide, heavy duty, precision ball bearing



BETTER MOBILITY. BETTER LIFE.



Picture may differ from original product

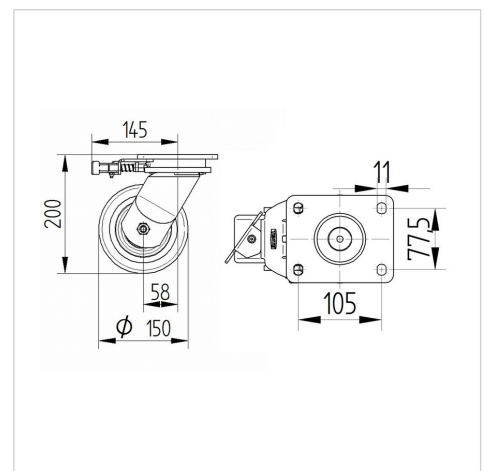
Technical Data

| | |
|------------------------|----------------|
| Wheel diameter | 150 mm |
| Wheel width | 50 mm |
| Castor width | 110 mm |
| Size of Plate | 135 x 110 mm |
| Plate hole centres | 105 x 80/75 mm |
| Plate hole | 11 mm |
| Dome-Ø | 111 mm |
| Offset | 58 mm |
| Swivel Interference | 275 mm |
| Overall height | 200 mm |
| Temperature | - 30 / + 80 °C |
| Standard | EN 12533 |
| Weight | 4.384 kg |
| Swivel Radius | 137.5 mm |
| Hardness of tread | Shore D 75 |
| Load capacity | 800 kg |
| Load capacity (static) | 1600 kg |

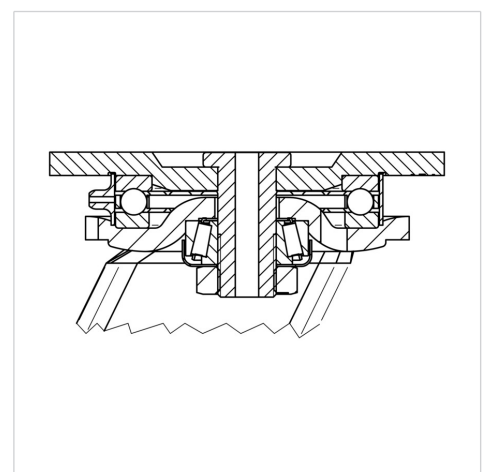
Advantages at a glance

| | |
|----------------------|-----------|
| Roll performance | ● ● ● ● ● |
| Movement noise | ● ○ ○ ○ ○ |
| Attrition | ● ● ● ● ● |
| Corrosion resistance | ● ● ● ○ ○ |

Dimensions



Structure & Mounting



KAPPA

9651TOP150P63

EAN 4031582314656



BETTER MOBILITY. BETTER LIFE.

Structure & Mounting

