

# KAPPA

9652TOO150P63

EAN 4031582314885

Swivel caster with total lock, leading end of caster, housing and plate steel-welded, bright zinc plated, blue passivated, sealed swivel bearing with dual purpose bearing and tapered roller bearing, threaded king pin and locking nut secured, grease nipple, wheel axle with nut, plate fitting. Wheel center made of Polyamide, heavy duty, plain bearing



BETTER MOBILITY. BETTER LIFE.

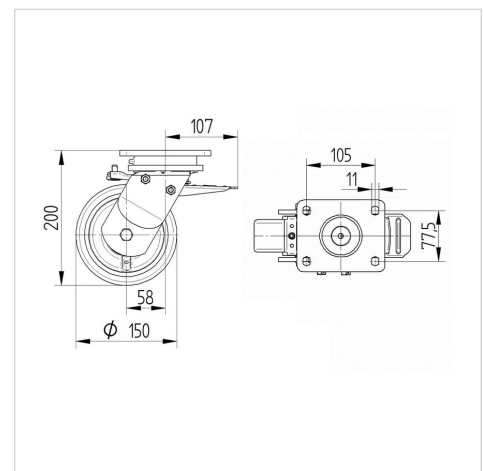


Picture may differ from original product

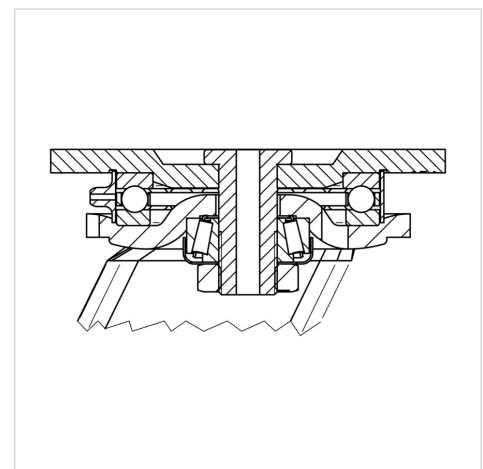
## Technical Data

|                         |                |
|-------------------------|----------------|
| Wheel diameter          | 150 mm         |
| Wheel width             | 50 mm          |
| Plate size              | 135 x 110 mm   |
| Plate hole centers      | 105 x 80/75 mm |
| Plate hole              | 11 mm          |
| Offset                  | 58 mm          |
| Swivel Interference     | 266 mm         |
| Overall height          | 200 mm         |
| Temperature             | - 40 / + 80 °C |
| Standard                | EN 12533       |
| Weight                  | 4.254 kg       |
| Hardness of tread       | Shore D 75     |
| Load capacity (dynamic) | 800 kg         |
| Load capacity (static)  | 1600 kg        |

## Dimensions



## Structure & Mounting



## Advantages at a glance

|                      |           |
|----------------------|-----------|
| Roll performance     | ● ● ● ● ● |
| Movement noise       | ● ○ ○ ○ ○ |
| Attrition            | ● ● ● ● ● |
| Corrosion resistance | ● ● ● ○ ○ |

# KAPPA

9652TOO150P63

EAN 4031582314885



BETTER MOBILITY. BETTER LIFE.

## Structure & Mounting

