

KAPPA

9658FTP200P64

EAN 4031582316230

Fixed castor, Fork and plate steel welded, bright zinc plated, blue passivated, wheel axle with nut, plate fitting.
Wheel centre made of cast iron, Tread: Polyurethane, casted, precision ball bearing



BETTER MOBILITY. BETTER LIFE.

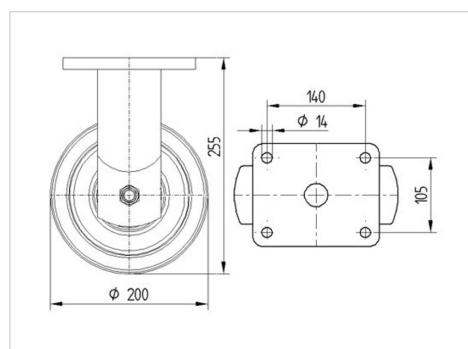


Picture may differ from original product

Technical Data

Wheel diameter	200 mm
Wheel width	80 mm
Castor width	140 mm
Size of Plate	175 x 140 mm
Plate hole centres	140 x 105 mm
Plate hole	15 mm
Dome-Ø	130 mm
Overall height	255 mm
Temperature	- 10 / + 60 °C
Standard	EN 12533
Weight	11.118 kg
Hardness of tread	Shore D 42
Load capacity	1400 kg
Load capacity (static)	2800 kg

Dimensions



Advantages at a glance

Roll performance	● ● ● ● ○
Movement noise	● ● ● ○ ○
Attrition	● ● ● ● ○
Corrosion resistance	● ● ● ○ ○

KAPPA

9658FTP200P64

EAN 4031582316230



BETTER MOBILITY. BETTER LIFE.

Structure & Mounting

