

# KAPPA

9658FTP200P64

EAN 4031582316230

Fixed caster, Fork and plate steel welded, bright zinc plated, blue passivated, wheel axle with nut, plate fitting.  
Wheel center made of cast iron, Tread: Polyurethane, casted, precision ball bearing



BETTER MOBILITY. BETTER LIFE.

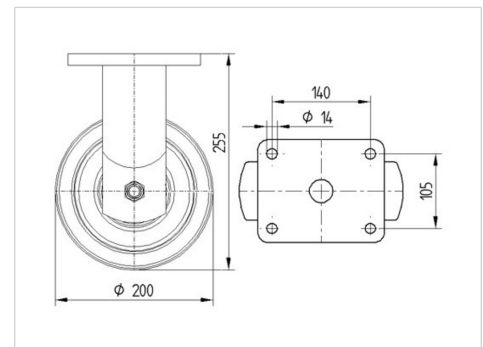


Picture may differ from original product

## Technical Data

|                         |                |
|-------------------------|----------------|
| Wheel diameter          | 200 mm         |
| Wheel width             | 80 mm          |
| Caster width            | 140 mm         |
| Plate size              | 175 x 140 mm   |
| Plate hole centers      | 140 x 105 mm   |
| Plate hole              | 15 mm          |
| Dome-Ø                  | 130 mm         |
| Overall height          | 255 mm         |
| Temperature             | - 10 / + 60 °C |
| Standard                | EN 12533       |
| Weight                  | 11.118 kg      |
| Hardness of tread       | Shore D 42     |
| Load capacity (dynamic) | 1400 kg        |
| Load capacity (static)  | 2800 kg        |

## Dimensions



## Advantages at a glance

|                      |           |
|----------------------|-----------|
| Roll performance     | ● ● ● ● ○ |
| Movement noise       | ● ● ● ○ ○ |
| Attrition            | ● ● ● ● ○ |
| Corrosion resistance | ● ● ● ○ ○ |

# KAPPA

9658FTP200P64

EAN 4031582316230



BETTER MOBILITY. BETTER LIFE.

## Structure & Mounting

---

