

KAPPA

9680FTP100P63

EAN 4031582314977

Swivel caster, housing and plate steel-welded, bright zinc plated, blue passivated, sealed single swivel double ball bearing, threaded king pin and locking nut secured, grease nipple, wheel axle with nut, plate fitting. Wheel center made of cast iron, Tread: Polyurethane, casted, precision ball bearing



BETTER MOBILITY. BETTER LIFE.

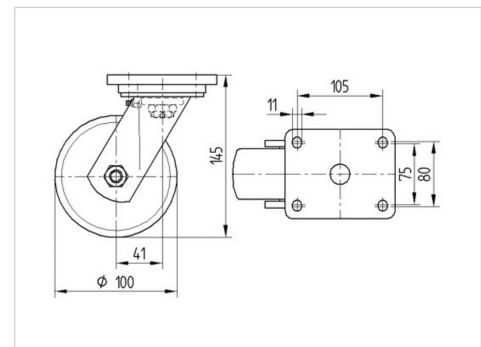


Picture may differ from original product

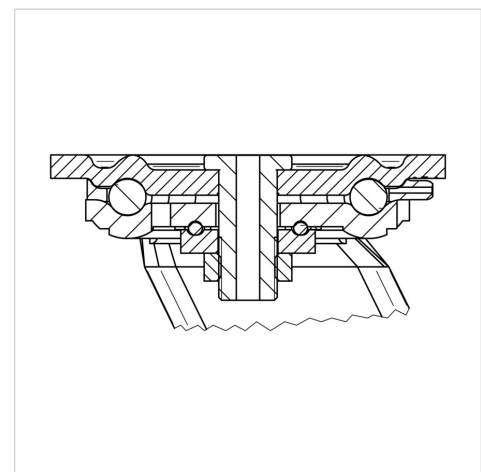
Technical Data

Wheel diameter	100 mm
Wheel width	50 mm
Caster width	110 mm
Plate size	135 x 110 mm
Plate hole centers	105 x 80/75 mm
Plate hole	11 mm
Dome-Ø	111 mm
Offset	41 mm
Swivel Interference	190 mm
Overall height	145 mm
Temperature	- 10 / + 60 °C
Standard	EN 12533
Weight	4.488 kg
Swivel Radius	95 mm
Hardness of tread	Shore D 42
Load capacity (dynamic)	450 kg
Load capacity (static)	900 kg

Dimensions



Structure & Mounting



Advantages at a glance

Roll performance	● ● ● ● ○
Movement noise	● ● ● ○ ○
Attrition	● ● ● ● ○
Corrosion resistance	● ● ● ○ ○

KAPPA

9680FTP100P63

EAN 4031582314977



BETTER MOBILITY. BETTER LIFE.

Structure & Mounting

