

# KAPPA

## 9680ITP125P63 Flat

EAN 4031582315189

Swivel caster, housing and plate steel-welded, bright zinc plated, blue passivated, sealed single swivel double ball bearing, threaded king pin and locking nut secured, grease nipple, wheel axle with nut, plate fitting. Wheel center made of Aluminum, Tread: Polyurethane, casted, precision ball bearing



BETTER MOBILITY. BETTER LIFE.

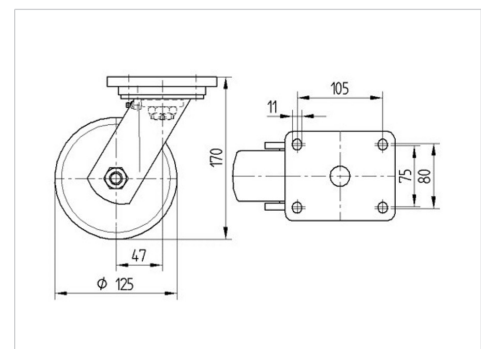


Picture may differ from original product

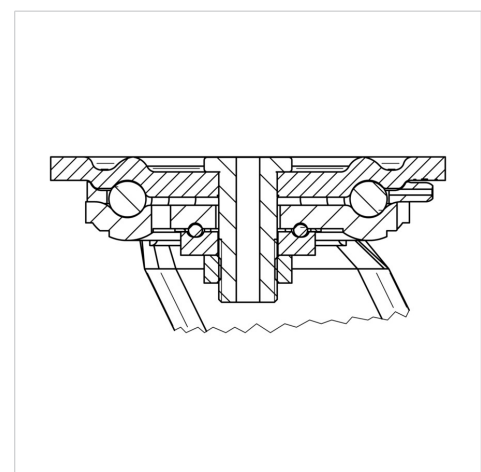
### Technical Data

Wheel diameter	125 mm
Wheel width	50 mm
Caster width	110 mm
Plate size	135 x 110 mm
Plate hole centers	105 x 80/75 mm
Plate hole	11 mm
Dome-Ø	111 mm
Offset	48 mm
Swivel Interference	225 mm
Overall height	170 mm
Temperature	- 10 / + 60 °C
Standard	EN 12532
Weight	3.834 kg
Swivel Radius	112.5 mm
Hardness of tread	Shore D 42
Load capacity (dynamic)	500 kg
Load capacity (static)	1000 kg

### Dimensions



### Structure & Mounting



### Advantages at a glance

Roll performance	● ● ● ○ ○
Movement noise	● ● ● ○ ○
Attrition	● ● ● ● ○
Corrosion resistance	● ● ● ○ ○

# KAPPA

## 9680ITP125P63 Flat

EAN 4031582315189



BETTER MOBILITY. BETTER LIFE.

### Structure & Mounting

