

KAPPA

9680TOO100P63

EAN 4031582315233

Swivel caster, housing and plate steel-welded, bright zinc plated, blue passivated, sealed single swivel double ball bearing, threaded king pin and locking nut secured, grease nipple, wheel axle with nut, plate fitting. Wheel center made of Polyamide, heavy duty, plain bearing



BETTER MOBILITY. BETTER LIFE.



Picture may differ from original product

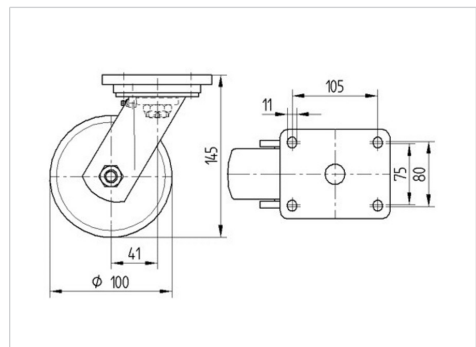
Technical Data

| | |
|-------------------------|----------------|
| Wheel diameter | 100 mm |
| Wheel width | 50 mm |
| Caster width | 110 mm |
| Plate size | 135 x 110 mm |
| Plate hole centers | 105 x 80/75 mm |
| Plate hole | 11 mm |
| Dome-Ø | 111 mm |
| Offset | 41 mm |
| Swivel Interference | 190 mm |
| Overall height | 145 mm |
| Temperature | - 40 / + 80 °C |
| Standard | EN 12533 |
| Weight | 3.175 kg |
| Swivel Radius | 95 mm |
| Hardness of tread | Shore D 75 |
| Load capacity (dynamic) | 600 kg |
| Load capacity (static) | 1200 kg |

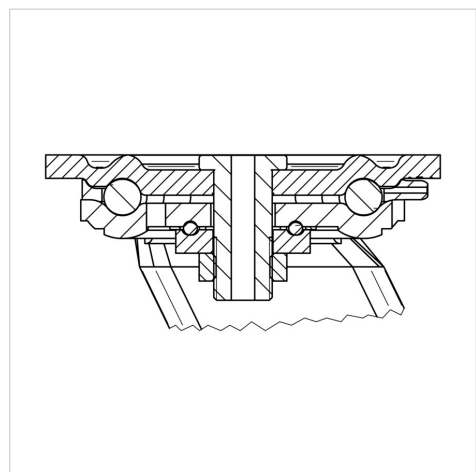
Advantages at a glance

| | |
|----------------------|-----------|
| Roll performance | ● ● ● ● ○ |
| Movement noise | ● ○ ○ ○ ○ |
| Attrition | ● ● ● ● ● |
| Corrosion resistance | ● ● ● ○ ○ |

Dimensions



Structure & Mounting



KAPPA

9680TOO100P63

EAN 4031582315233



BETTER MOBILITY. BETTER LIFE.

Structure & Mounting

