

KAPPA

9680TOO250P63

EAN 4031582315288

Swivel caster, housing and plate steel-welded, bright zinc plated, blue passivated, sealed single swivel double ball bearing, threaded king pin and locking nut secured, grease nipple, wheel axle with nut, plate fitting. Wheel center made of Polyamide, heavy duty, plain bearing



BETTER MOBILITY. BETTER LIFE.

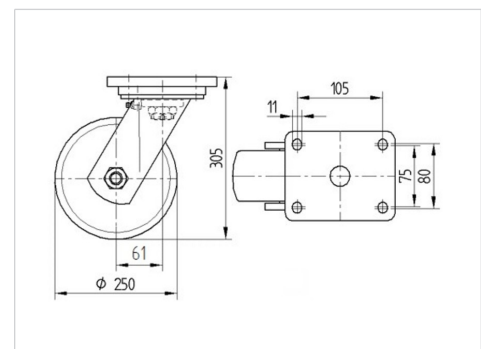


Picture may differ from original product

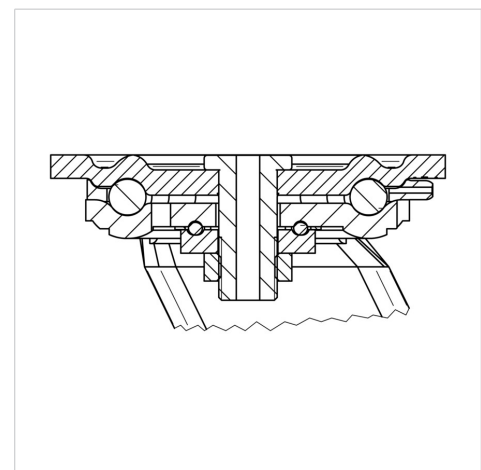
Technical Data

Wheel diameter	250 mm
Wheel width	50 mm
Plate size	135 x 110 mm
Plate hole centers	105 x 80/75 mm
Plate hole	11 mm
Offset	61 mm
Swivel Interference	372 mm
Overall height	305 mm
Temperature	- 40 / + 80 °C
Standard	EN 12533
Weight	4.875 kg
Swivel Radius	186 mm
Hardness of tread	Shore D 75
Load capacity (dynamic)	1000 kg
Load capacity (static)	2000 kg

Dimensions



Structure & Mounting



Advantages at a glance

Roll performance	● ● ● ● ○
Movement noise	● ○ ○ ○ ○
Attrition	● ● ● ● ●
Corrosion resistance	● ● ● ○ ○

KAPPA

9680TOO250P63

EAN 4031582315288



BETTER MOBILITY. BETTER LIFE.

Structure & Mounting

