

KAPPA

9681FTP160P63

EAN 4031582315400

Swivel caster with directional lock, housing and plate steel-welded, bright zinc plated, blue passivated, sealed single swivel double ball bearing, threaded king pin and locking nut secured, grease nipple, wheel axle with nut, plate fitting. Wheel center made of cast iron, Tread: Polyurethane, casted, precision ball bearing



BETTER MOBILITY. BETTER LIFE.



Picture may differ from original product

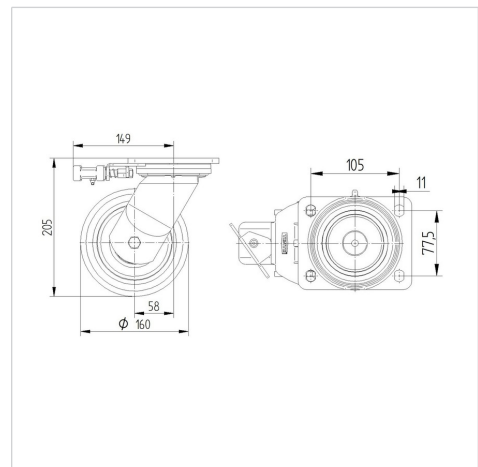
Technical Data

| | |
|-------------------------|----------------|
| Wheel diameter | 160 mm |
| Wheel width | 50 mm |
| Caster width | 110 mm |
| Plate size | 135 x 110 mm |
| Plate hole centers | 105 x 80/75 mm |
| Plate hole | 11 mm |
| Dome-Ø | 111 mm |
| Offset | 58 mm |
| Swivel Interference | 280 mm |
| Overall height | 205 mm |
| Temperature | - 10 / + 60 °C |
| Standard | EN 12533 |
| Weight | 5.819 kg |
| Swivel Radius | 140 mm |
| Hardness of tread | Shore D 42 |
| Load capacity (dynamic) | 750 kg |
| Load capacity (static) | 1500 kg |

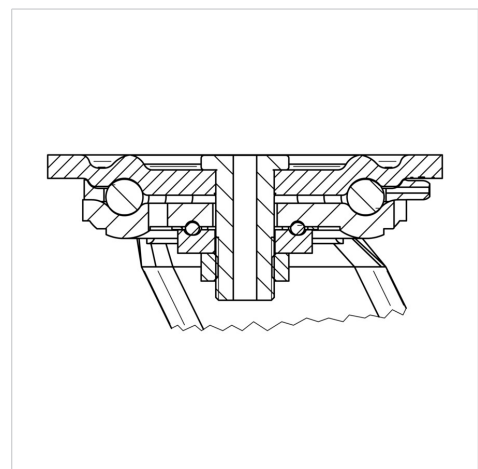
Advantages at a glance

| | |
|----------------------|-----------|
| Roll performance | ● ● ● ● ○ |
| Movement noise | ● ● ● ○ ○ |
| Attrition | ● ● ● ● ○ |
| Corrosion resistance | ● ● ● ○ ○ |

Dimensions



Structure & Mounting



KAPPA

9681FTP160P63

EAN 4031582315400



BETTER MOBILITY. BETTER LIFE.

Structure & Mounting

