

# KAPPA

## 9682TOP150P63

EAN 4031582316049

Swivel caster with total lock, leading end of caster, housing and plate steel-welded, bright zinc plated, blue passivated, sealed single swivel double ball bearing, threaded king pin and locking nut secured, grease nipple, wheel axle with nut, plate fitting. Wheel center made of Polyamide, heavy duty, precision ball bearing



BETTER MOBILITY. BETTER LIFE.



Picture may differ from original product

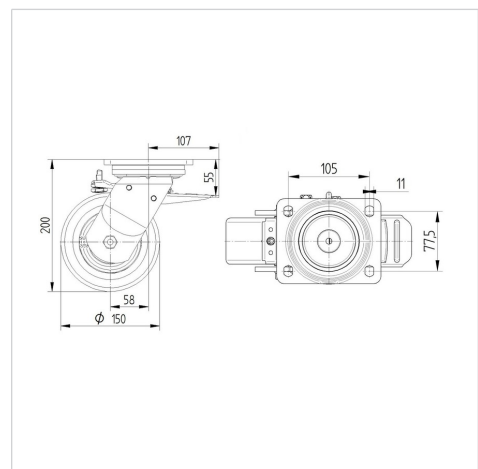
### Technical Data

|                         |                |
|-------------------------|----------------|
| Wheel diameter          | 150 mm         |
| Wheel width             | 50 mm          |
| Caster width            | 116 mm         |
| Plate size              | 135 x 110 mm   |
| Plate hole centers      | 105 x 80/75 mm |
| Plate hole              | 11 mm          |
| Dome-Ø                  | 111 mm         |
| Offset                  | 58 mm          |
| Swivel Interference     | 275 mm         |
| Overall height          | 200 mm         |
| Temperature             | - 30 / + 80 °C |
| Standard                | EN 12533       |
| Weight                  | 4.214 kg       |
| Swivel Radius           | 137.5 mm       |
| Hardness of tread       | Shore D 75     |
| Load capacity (dynamic) | 800 kg         |
| Load capacity (static)  | 1600 kg        |

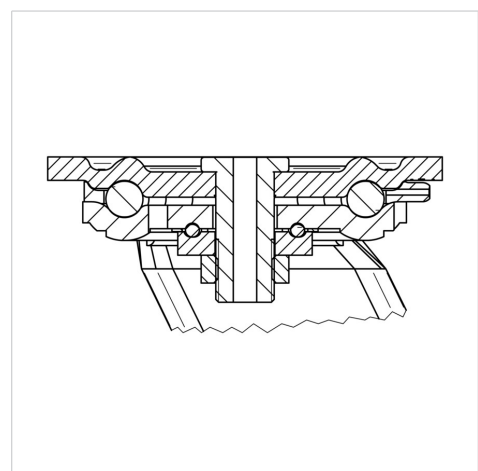
### Advantages at a glance

|                      |           |
|----------------------|-----------|
| Roll performance     | ● ● ● ● ● |
| Movement noise       | ● ○ ○ ○ ○ |
| Attrition            | ● ● ● ● ● |
| Corrosion resistance | ● ● ● ○ ○ |

### Dimensions



### Structure & Mounting



# KAPPA

9682TOP150P63

EAN 4031582316049



BETTER MOBILITY. BETTER LIFE.

## Structure & Mounting

