

KAPPA

9688ETP080P63

EAN 4031582316087

Fixed castor, Fork and plate steel welded, bright zinc plated, blue passivated, wheel axle with nut, plate fitting.
Wheel centre made of steel, Tread: Polyurethane, casted, precision ball bearing.



BETTER MOBILITY. BETTER LIFE.

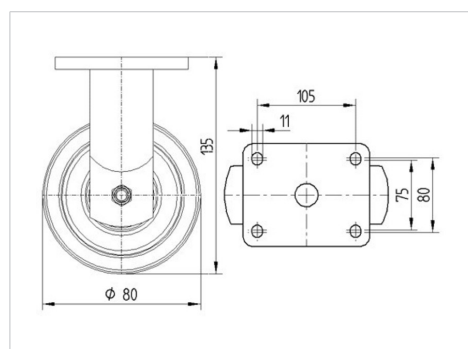


Picture may differ from original product

Technical Data

Wheel diameter	80 mm
Wheel width	60 mm
Castor width	98 mm
Size of Plate	135 x 110 mm
Plate hole centres	105 x 80/75 mm
Plate hole	11 mm
Dome-Ø	96 mm
Overall height	135 mm
Temperature	- 10 / + 60 °C
Standard	EN 12533
Weight	2.021 kg
Hardness of tread	Shore D 42
Load capacity	500 kg
Load capacity (static)	1000 kg

Dimensions



Advantages at a glance

Roll performance	● ● ● ● ○
Movement noise	● ● ● ○ ○
Attrition	● ● ● ● ○
Corrosion resistance	● ● ● ○ ○

KAPPA

9688ETP080P63

EAN 4031582316087



BETTER MOBILITY. BETTER LIFE.

Structure & Mounting

