

KAPPA

9688FTP125P63

EAN 4031582316100

Fixed castor, Fork and plate steel welded, bright zinc plated, blue passivated, wheel axle with nut, plate fitting.
Wheel centre made of cast iron, Tread: Polyurethane, casted, precision ball bearing



BETTER MOBILITY. BETTER LIFE.

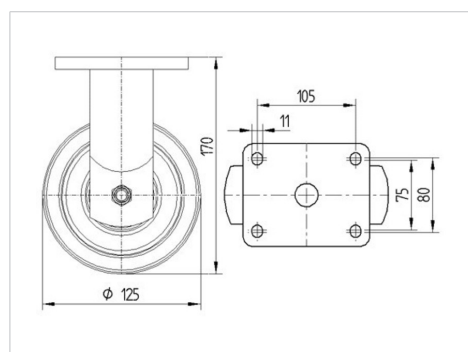


Picture may differ from original product

Technical Data

Wheel diameter	125 mm
Wheel width	50 mm
Castor width	98 mm
Size of Plate	135 x 110 mm
Plate hole centres	105 x 80/75 mm
Plate hole	11 mm
Dome-Ø	96 mm
Overall height	170 mm
Temperature	- 10 / + 60 °C
Standard	EN 12533
Weight	4.831 kg
Hardness of tread	Shore D 42
Load capacity	550 kg
Load capacity (static)	1100 kg

Dimensions



Advantages at a glance

Roll performance	● ● ● ● ○
Movement noise	● ● ● ○ ○
Attrition	● ● ● ● ○
Corrosion resistance	● ● ● ○ ○

KAPPA

9688FTP125P63

EAN 4031582316100



BETTER MOBILITY. BETTER LIFE.

Structure & Mounting

