

KAPPA

9688FTP150P63 WT50

EAN 4031582316117

Fixed caster, Fork and plate steel welded, bright zinc plated, blue passivated, wheel axle with nut, plate fitting.
Wheel center made of cast iron, Tread: Polyurethane, casted, precision ball bearing



BETTER MOBILITY. BETTER LIFE.

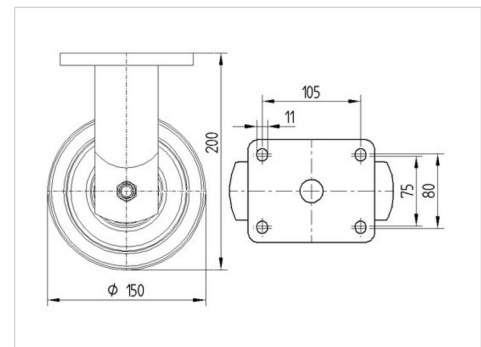


Picture may differ from original product

Technical Data

| | |
|-------------------------|----------------|
| Wheel diameter | 150 mm |
| Wheel width | 50 mm |
| Caster width | 98 mm |
| Plate size | 135 x 110 mm |
| Plate hole centers | 105 x 80/75 mm |
| Plate hole | 11 mm |
| Dome-Ø | 96 mm |
| Overall height | 200 mm |
| Temperature | - 10 / + 60 °C |
| Standard | EN 12533 |
| Weight | 5.809 kg |
| Hardness of tread | Shore D 42 |
| Load capacity (dynamic) | 800 kg |
| Load capacity (static) | 1600 kg |

Dimensions



Advantages at a glance

| | |
|----------------------|-----------|
| Roll performance | ● ● ● ● ○ |
| Movement noise | ● ● ● ○ ○ |
| Attrition | ● ● ● ● ○ |
| Corrosion resistance | ● ● ● ○ ○ |

KAPPA

9688FTP150P63 WT50

EAN 4031582316117



BETTER MOBILITY. BETTER LIFE.

Structure & Mounting

