

KAPPA

9688ITP100P63 Flat

EAN 4031582316445

Fixed castor, Fork and plate steel welded, bright zinc plated, blue passivated, wheel axle with nut, plate fitting.
Wheel centre made of Aluminium, Tread: Polyurethane, casted, precision ball bearing



BETTER MOBILITY. BETTER LIFE.

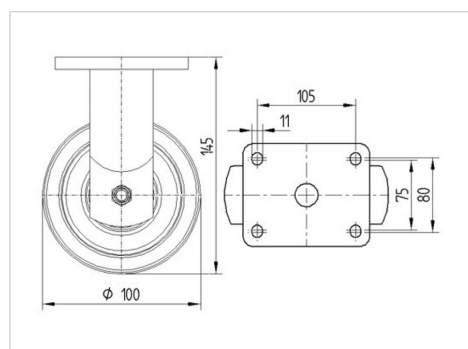


Picture may differ from original product

Technical Data

Wheel diameter	100 mm
Wheel width	50 mm
Castor width	98 mm
Size of Plate	135 x 110 mm
Plate hole centres	105 x 80/75 mm
Plate hole	11 mm
Dome-Ø	96 mm
Overall height	145 mm
Temperature	- 10 / + 60 °C
Standard	EN 12532
Weight	2.36 kg
Hardness of tread	Shore D 42
Load capacity	540 kg
Load capacity (static)	1080 kg

Dimensions



Advantages at a glance

Roll performance	● ● ● ○ ○
Movement noise	● ● ● ○ ○
Attrition	● ● ● ● ○
Corrosion resistance	● ● ● ○ ○

KAPPA

9688ITP100P63 Flat

EAN 4031582316445



BETTER MOBILITY. BETTER LIFE.

Structure & Mounting

