

KAPPA

9688ITP100P63 Flat

EAN 4031582316445

Fiksirani točkić, Viljuska i ploca zavareni, pocinkovani, osovina tocka sa caurom, Priključak ploca..

Telo tocka od aluminijuma, Omotac: Poliuretan , liven, precizni kuglicni lezaj



BETTER MOBILITY. BETTER LIFE.

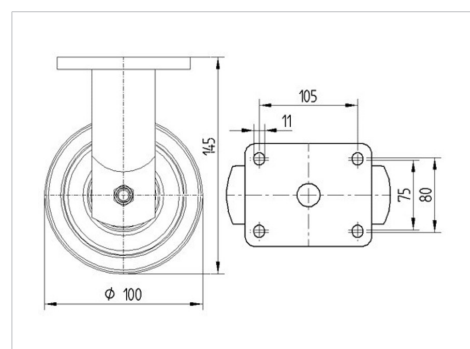


Picture may differ from original product

Tehnicki podaci

Precnik tocka.	100 mm
Sirina gazista.	50 mm
Sirina tocka	98 mm
Dimenzije ploce.	135 x 110 mm
Raspored rupa na ploci.	105 x 80/75 mm
Rupa na ploci.	11 mm
Kupola -Ø	96 mm
Sveukupna visina.	145 mm
Temperatura	- 10 / + 60 °C
Standard	EN 12532
Tezina	2.36 kg
Tvrdoca omotaca	Shore D 42
Dinamicka nosivost.	540 kg
Staticka nosivost.	1080 kg

Dimensions



Advantages at a glance

Otpor okretanju	● ● ● ○ ○
Buka pri okretanju	● ● ● ○ ○
trenje , habanje	● ● ● ● ○
zastita od korozije	● ● ● ○ ○

KAPPA

9688ITP100P63 Flat

EAN 4031582316445



BETTER MOBILITY. BETTER LIFE.

Structure & Mounting

