

# KAPPA

## 9688ITP125P63 Flat

EAN 4031582316452

Fixed caster, Fork and plate steel welded, bright zinc plated, blue passivated, wheel axle with nut, plate fitting.  
Wheel center made of Aluminum, Tread: Polyurethane, casted, precision ball bearing



BETTER MOBILITY. BETTER LIFE.

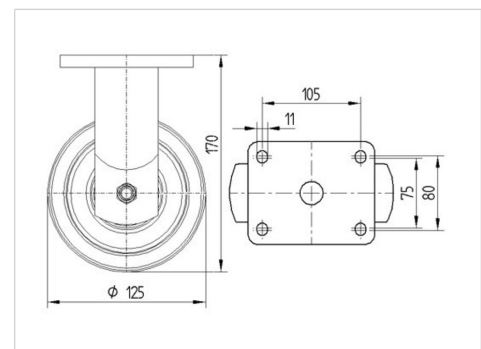


Picture may differ from original product

### Technical Data

Wheel diameter	125 mm
Wheel width	50 mm
Caster width	98 mm
Plate size	135 x 110 mm
Plate hole centers	105 x 80/75 mm
Plate hole	11 mm
Dome-Ø	96 mm
Overall height	170 mm
Temperature	- 10 / + 60 °C
Standard	EN 12532
Weight	1.73 kg
Hardness of tread	Shore D 42
Load capacity (dynamic)	500 kg
Load capacity (static)	1000 kg

### Dimensions



### Advantages at a glance

Roll performance	● ● ● ● ○
Movement noise	● ● ● ○ ○
Attrition	● ● ● ● ○
Corrosion resistance	● ● ● ○ ○

# KAPPA

9688ITP125P63 Flat

EAN 4031582316452



BETTER MOBILITY. BETTER LIFE.

## Structure & Mounting

