

KAPPA

9688TOO200P63

EAN 4031582316605

Fixed castor, Fork and plate steel welded, bright zinc plated, blue passivated, wheel axle with nut, plate fitting.

Wheel centre made of Polyamide, heavy duty, plain bearing



BETTER MOBILITY. BETTER LIFE.

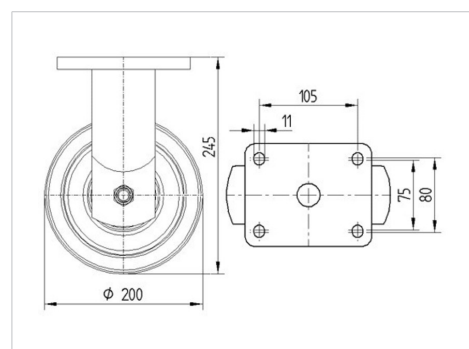


Picture may differ from original product

Technical Data

| | |
|------------------------|----------------|
| Wheel diameter | 200 mm |
| Wheel width | 50 mm |
| Castor width | 98 mm |
| Size of Plate | 135 x 110 mm |
| Plate hole centres | 105 x 80/75 mm |
| Plate hole | 11 mm |
| Dome-Ø | 96 mm |
| Overall height | 245 mm |
| Temperature | - 40 / + 80 °C |
| Standard | EN 12533 |
| Weight | 3.853 kg |
| Hardness of tread | Shore D 75 |
| Load capacity | 1000 kg |
| Load capacity (static) | 2000 kg |

Dimensions



Advantages at a glance

| | |
|----------------------|-----------|
| Roll performance | ● ● ● ● ○ |
| Movement noise | ● ○ ○ ○ ○ |
| Attrition | ● ● ● ● ● |
| Corrosion resistance | ● ● ● ○ ○ |

KAPPA

9688TOO200P63

EAN 4031582316605



BETTER MOBILITY. BETTER LIFE.

Structure & Mounting

