

# KAPPA

## 9688TOP160P63

EAN 4031582316681

Fixed caster, Fork and plate steel welded, bright zinc plated, blue passivated, wheel axle with nut, plate fitting.  
Wheel center made of Polyamide, heavy duty, precision ball bearing



BETTER MOBILITY. BETTER LIFE.

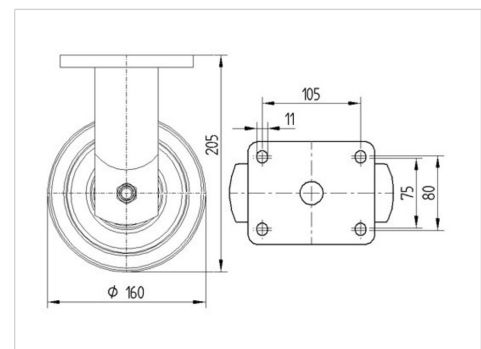


Picture may differ from original product

### Technical Data

|                         |                |
|-------------------------|----------------|
| Wheel diameter          | 160 mm         |
| Wheel width             | 50 mm          |
| Caster width            | 98 mm          |
| Plate size              | 135 x 110 mm   |
| Plate hole centers      | 105 x 80/75 mm |
| Plate hole              | 11 mm          |
| Dome-Ø                  | 96 mm          |
| Overall height          | 205 mm         |
| Temperature             | - 30 / + 80 °C |
| Standard                | EN 12533       |
| Weight                  | 3.356 kg       |
| Hardness of tread       | Shore D 75     |
| Load capacity (dynamic) | 850 kg         |
| Load capacity (static)  | 1700 kg        |

### Dimensions



### Advantages at a glance

|                      |           |
|----------------------|-----------|
| Roll performance     | ● ● ● ● ● |
| Movement noise       | ● ○ ○ ○ ○ |
| Attrition            | ● ● ● ● ● |
| Corrosion resistance | ● ● ● ○ ○ |

# KAPPA

9688TOP160P63

EAN 4031582316681



BETTER MOBILITY. BETTER LIFE.

## Structure & Mounting

