

KAPPA

9688TOP160P63

EAN 4031582316681

Fiksirani točkić, Viljuska i ploca zavareni, pocinkovani, osovina tocka sa caurom, Priključak ploca..

Telo tocka od poliamida, visoke nosivosti, precizni kuglicni lezaj

TENTE

BETTER MOBILITY. BETTER LIFE.

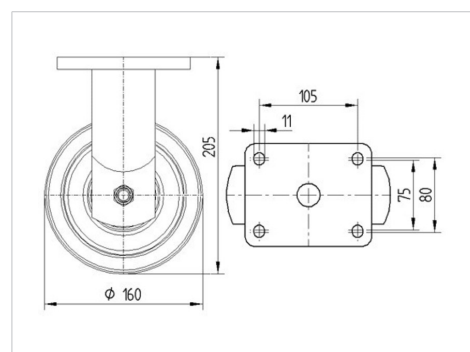


Picture may differ from original product

Tehnicki podaci

| | |
|-------------------------|----------------|
| Precnik tocka. | 160 mm |
| Sirina gazista. | 50 mm |
| Sirina tocka | 98 mm |
| Dimenzije ploce. | 135 x 110 mm |
| Raspored rupa na ploci. | 105 x 80/75 mm |
| Rupa na ploci. | 11 mm |
| Kupola -Ø | 96 mm |
| Sveukupna visina. | 205 mm |
| Temperatura | - 30 / + 80 °C |
| Standard | EN 12533 |
| Tezina | 3.356 kg |
| Tvrdoca omotaca | Shore D 75 |
| Dinamicka nosivost. | 850 kg |
| Staticka nosivost. | 1700 kg |

Dimensions



Advantages at a glance

| | |
|---------------------|-----------|
| Otpor okretanju | ● ● ● ● ● |
| Buka pri okretanju | ● ○ ○ ○ ○ |
| trenje , habanje | ● ● ● ● ● |
| zastita od korozije | ● ● ● ○ ○ |

KAPPA

9688TOP160P63

EAN 4031582316681



BETTER MOBILITY. BETTER LIFE.

Structure & Mounting

